

Wall Mounted RF AC RGB Controller

09.2836NR.04766



Important: Read All Instructions Prior to Installation

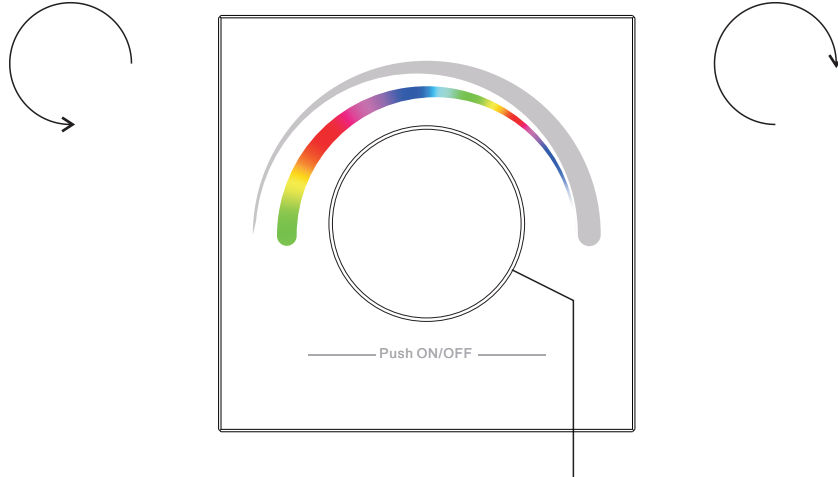
Function introduction

Rotate the knob counterclockwise:

1. Decrease light intensity from 100% to 1%(brightness mode).
2. Change RGB color(RGB color mode)

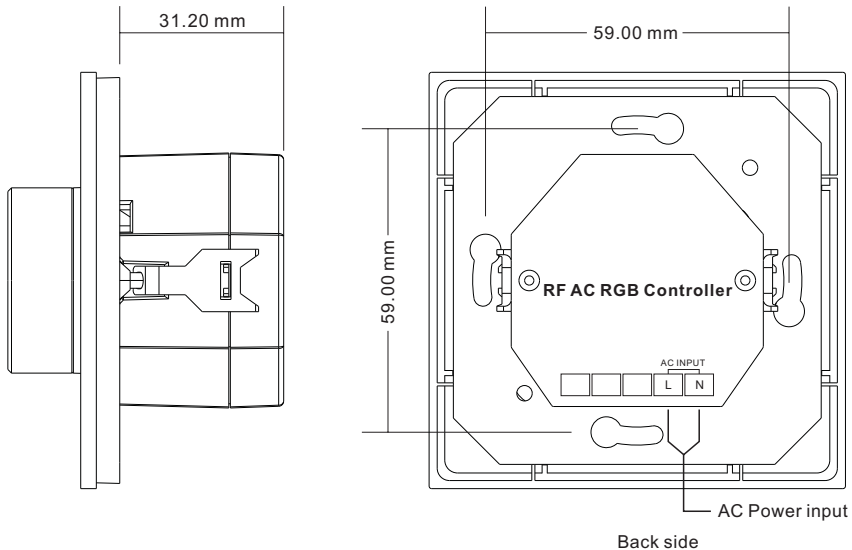
Rotate the knob clockwise:

1. Increase light intensity from 1% to 100%(brightness mode).
2. Change RGB color(RGB color mode)



Click the knob to switch ON/OFF. Press and hold down to adjust brightness to 100%. Double click the knob to switch between RGB color mode and brightness mode.

Front side



Product Data

| Designation | RF AC RGB Controller |
|---------------------------|-----------------------|
| Power connection | L, N AC mains |
| Operating voaltage | 200-240V AC |
| Input current | 15mA max. |
| Output | RF signal |
| Perm. Cable cross-section | 1...4 mm ² |
| Ambient temperature | 0...+50 °C |
| Type of protection | IP 20 |
| Protection class | II |
| Dimensions | 80x80x53mm |

- Rotation sensitive
- Compatible with all universal series RF receivers, radio frequency: 869.5/434MHz
- Control RGB color
- Control 1 zone of RF receiver
- Safe and reliable full isolation design

Safety & Warnings

- DO NOT install with power applied to device.
- DO NOT expose the device to moisture.

Operation

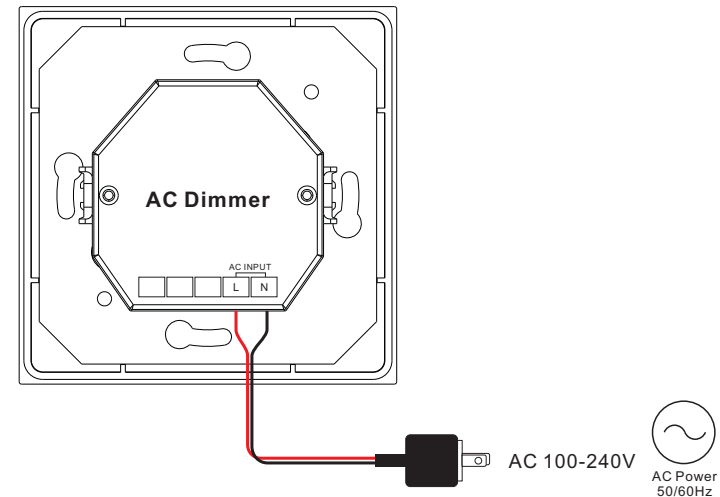
Pair with RF receivers:

Click "Learning Key" → Rotate or click the knob → LED lights connected with the RF receiver will flicker once → The receiver is paired with the remote successfully.

How to delete the pairing:

Press and hold down "Learning Key" on the receiver for over 3 seconds until connected LED lights flicker twice, which means the pairing is deleted successfully.

Wiring diagram



Installation

