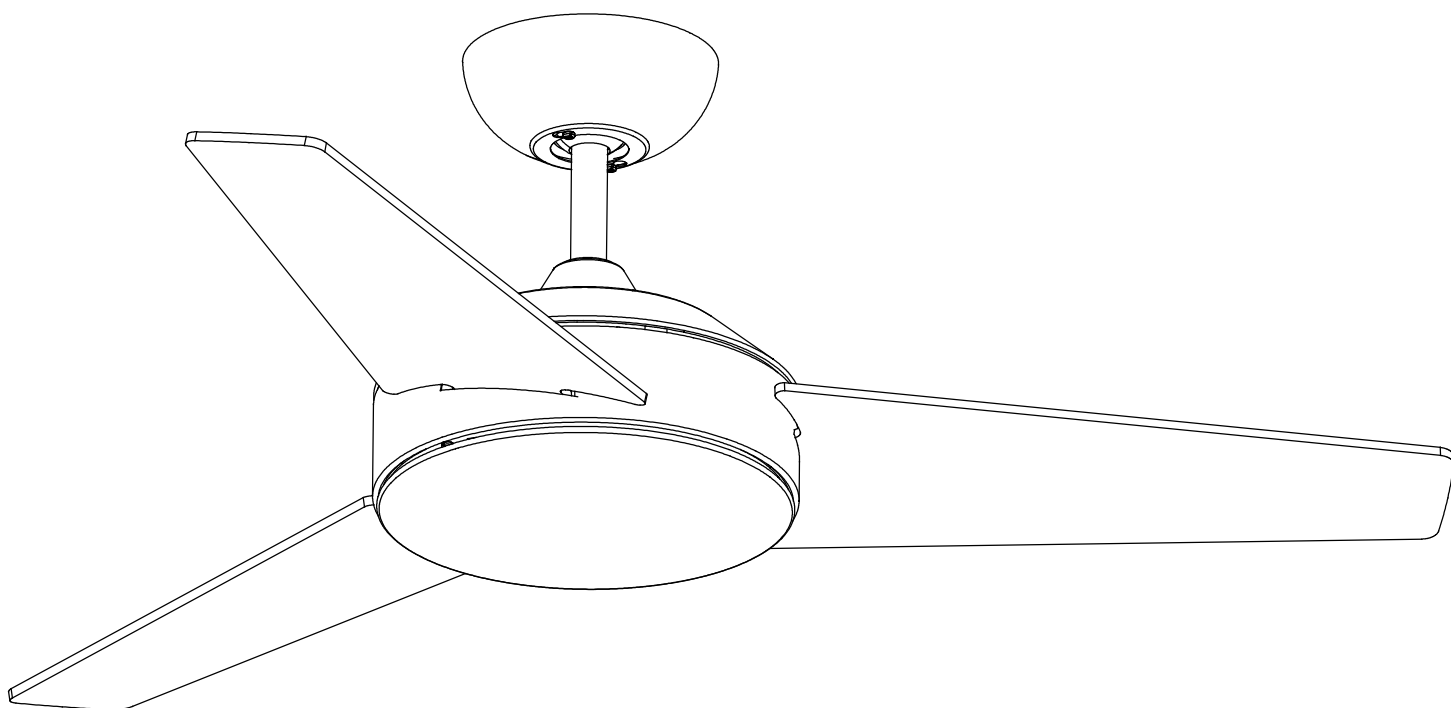




LED S-C4

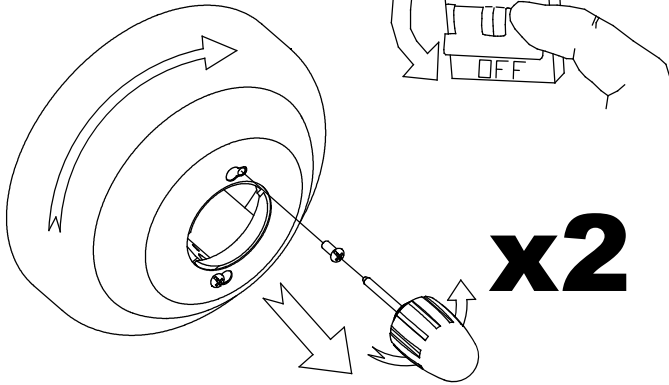
30-6141-CF-CF

30-6141-81-81

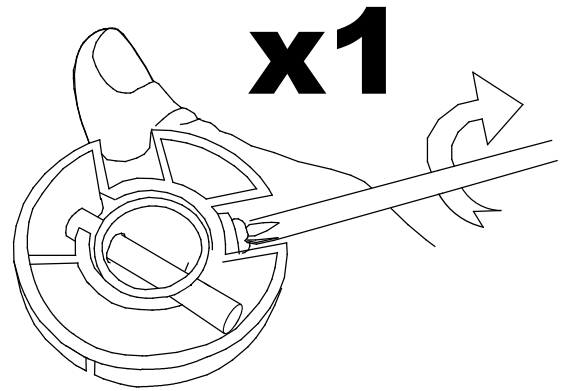




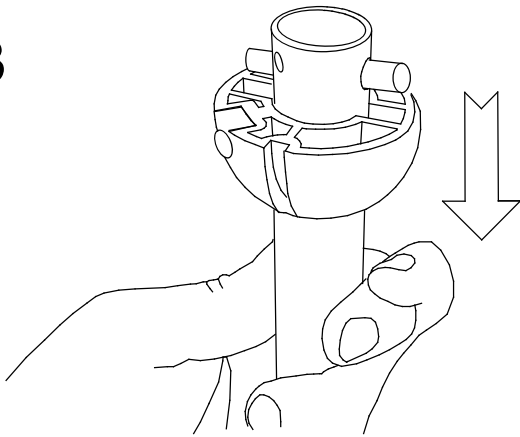
1



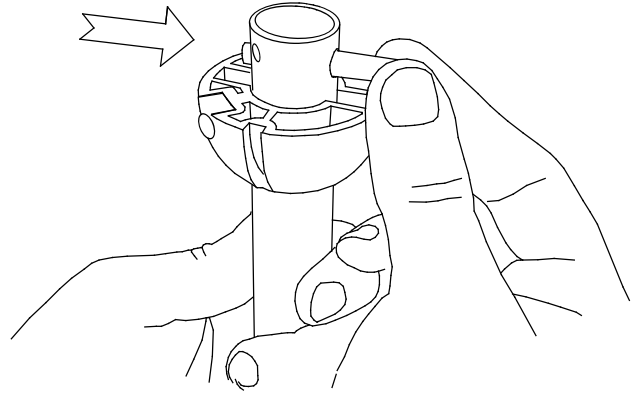
2



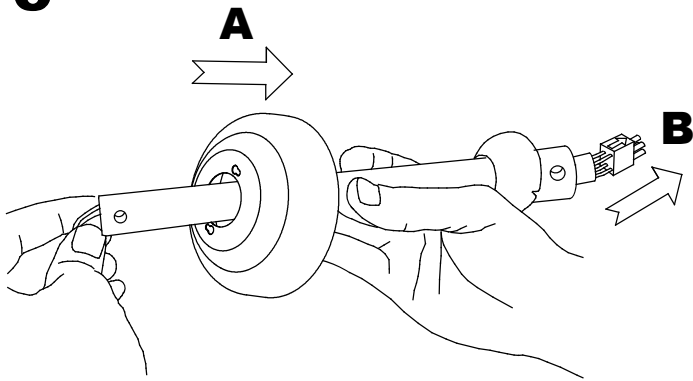
3



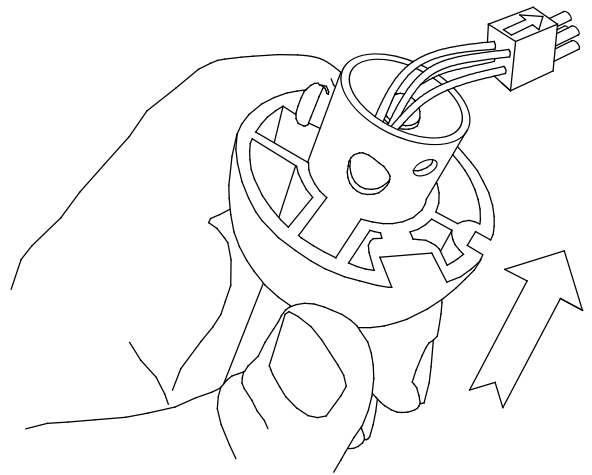
4



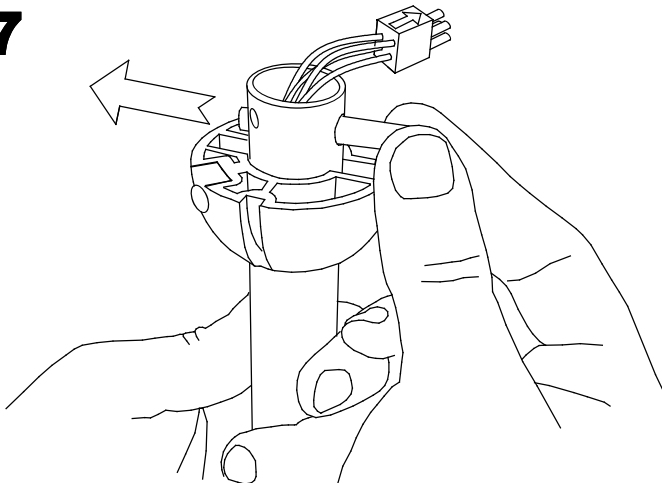
5



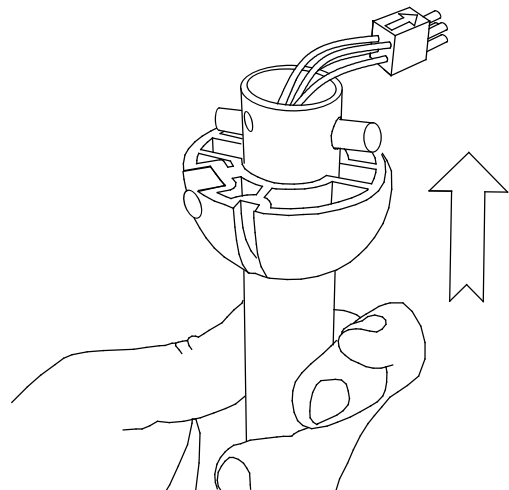
6



7



8

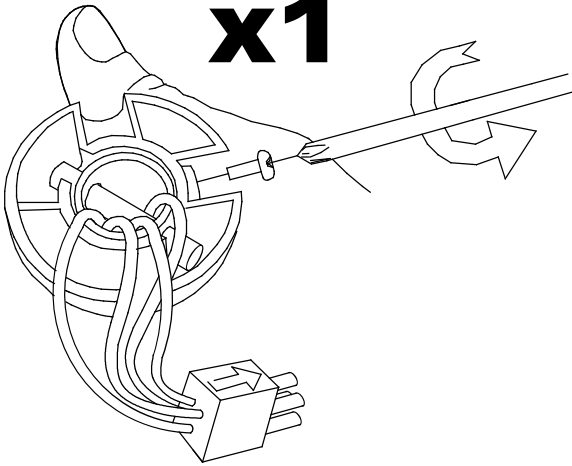




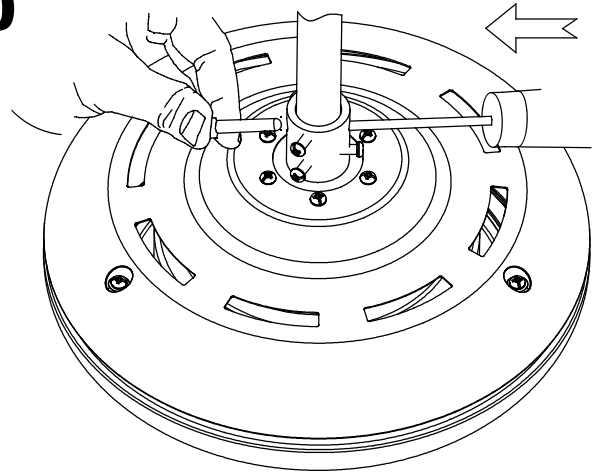
LED S-C4

9

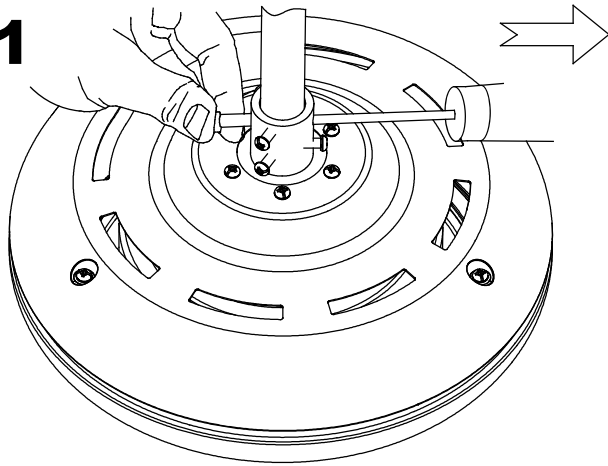
x1



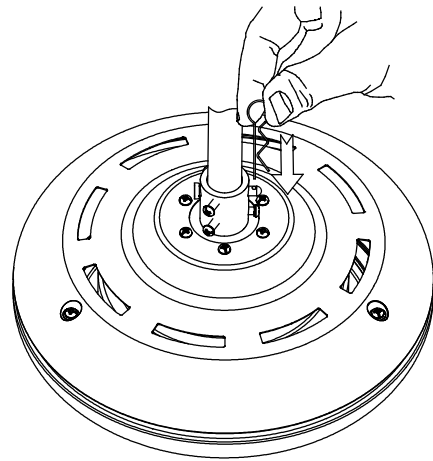
10



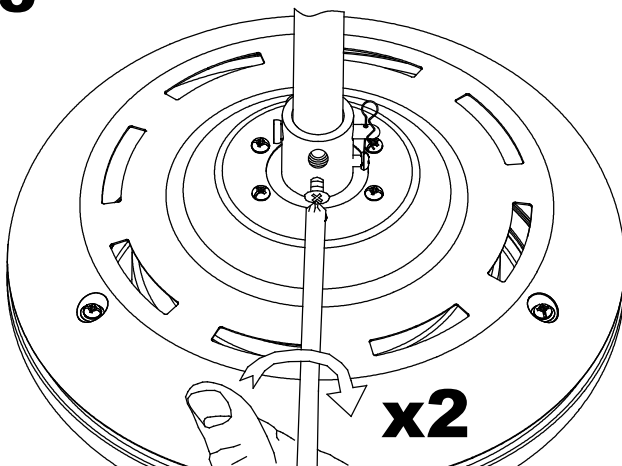
11



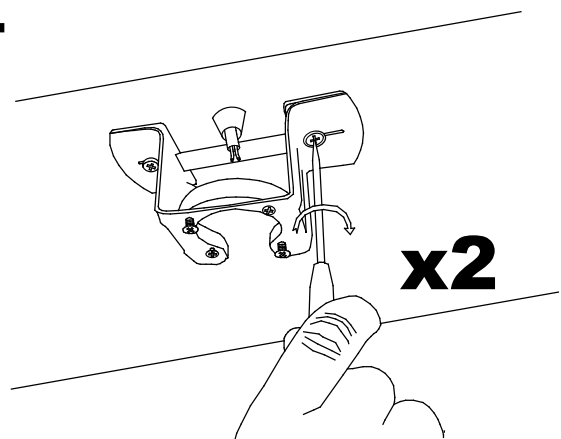
12



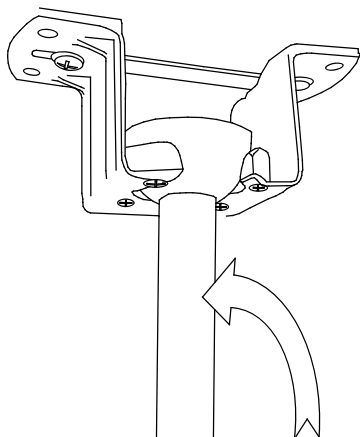
13



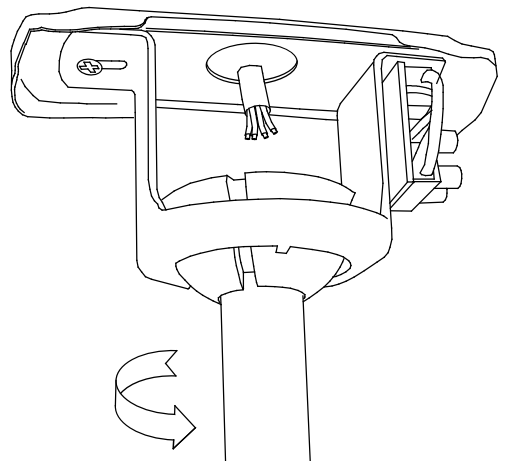
14



15

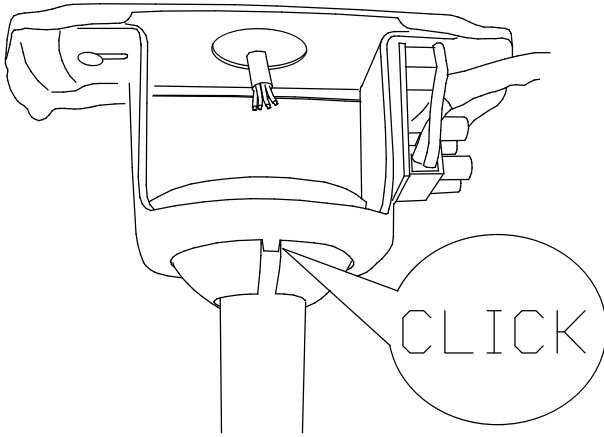


16

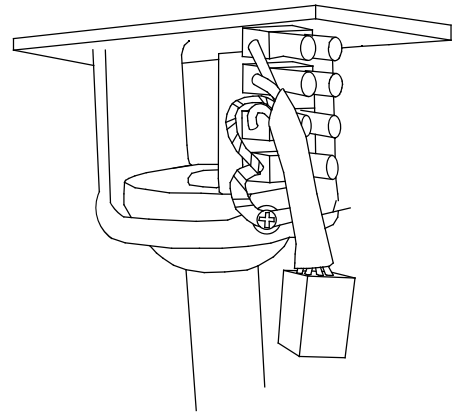




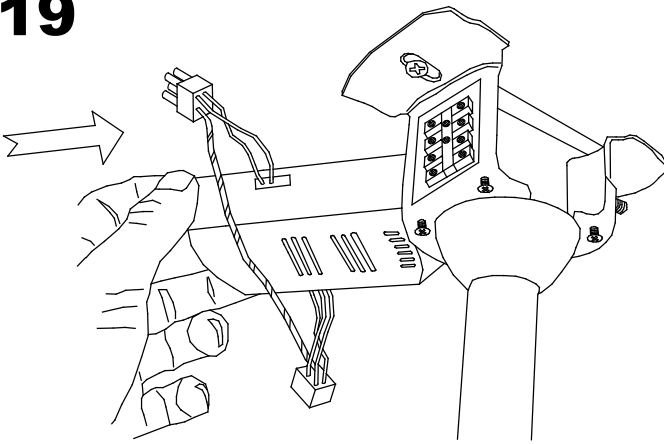
17



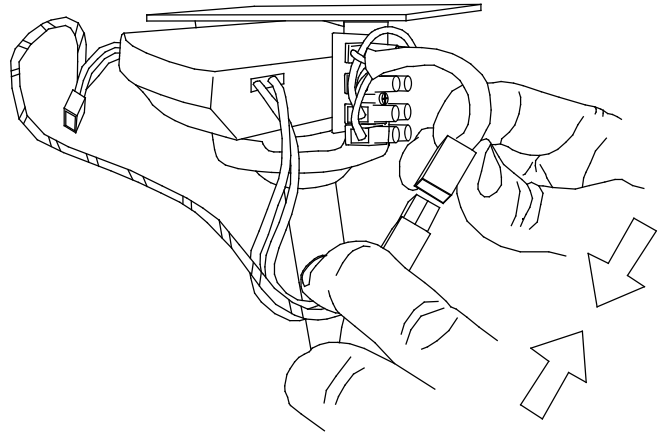
18



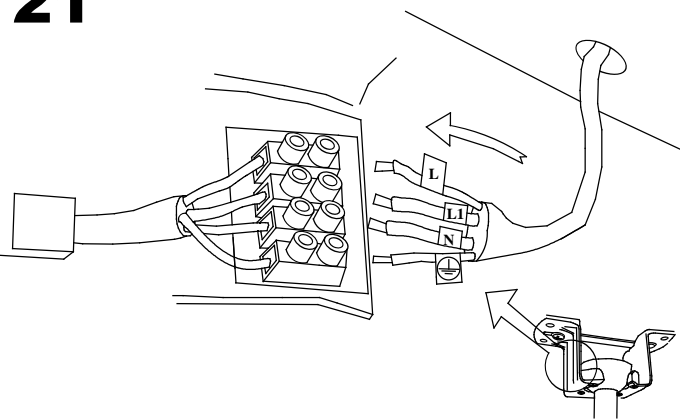
19



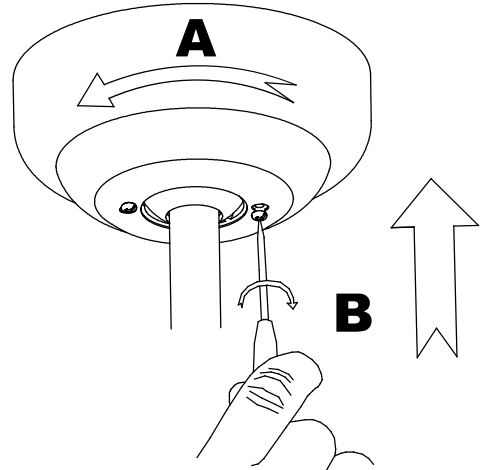
20



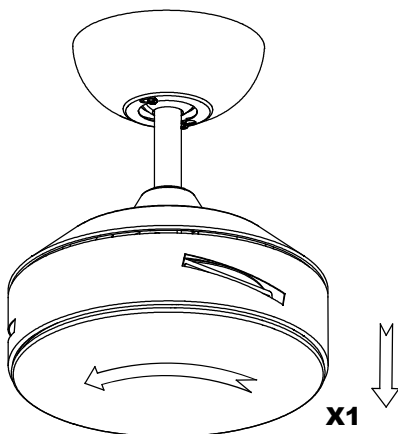
21



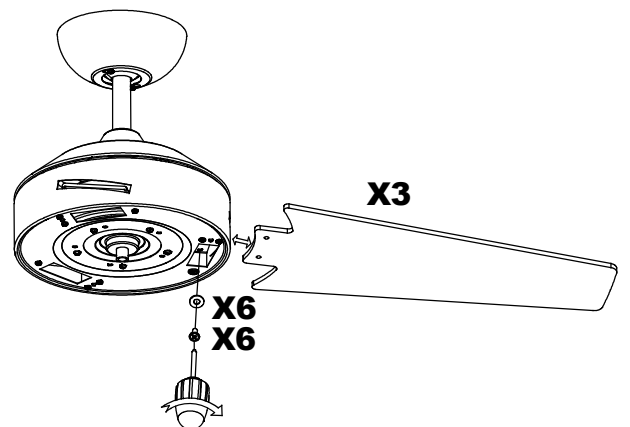
22



23



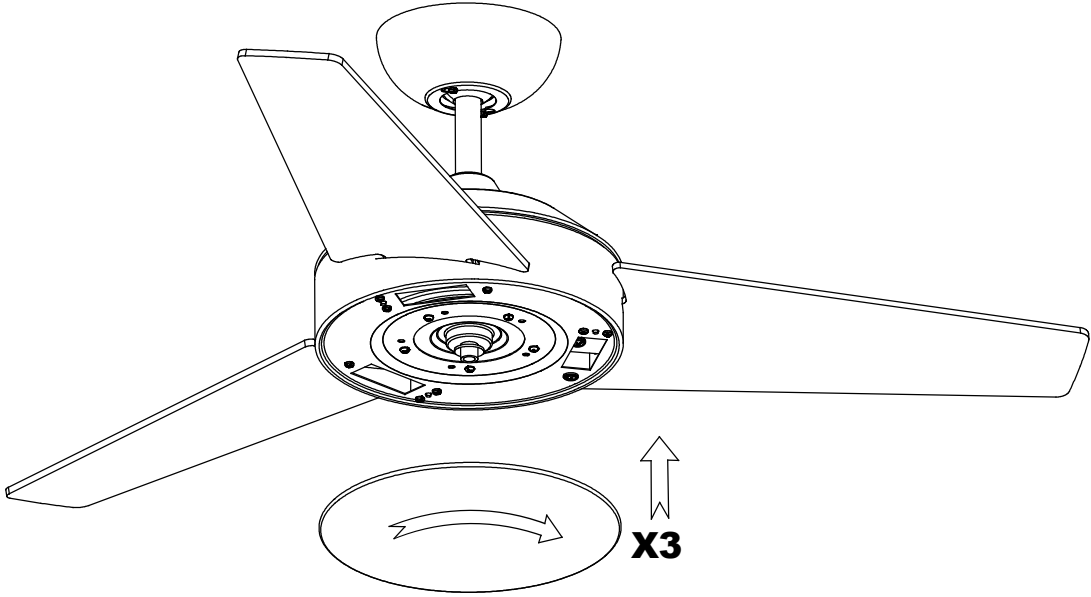
24



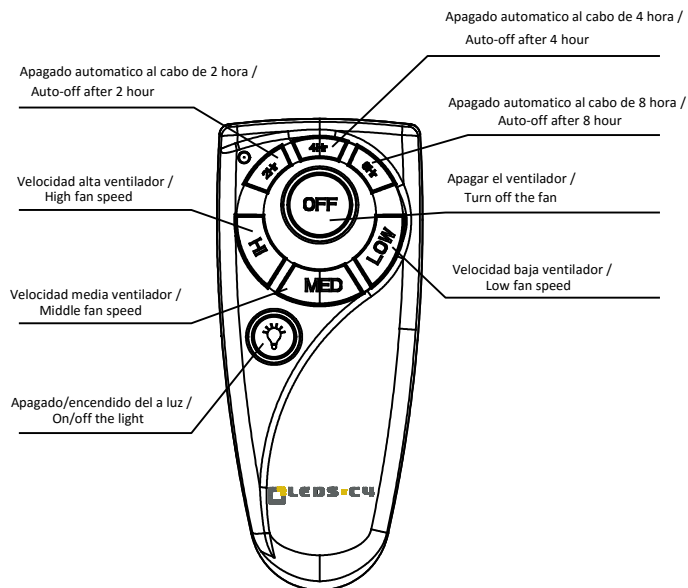
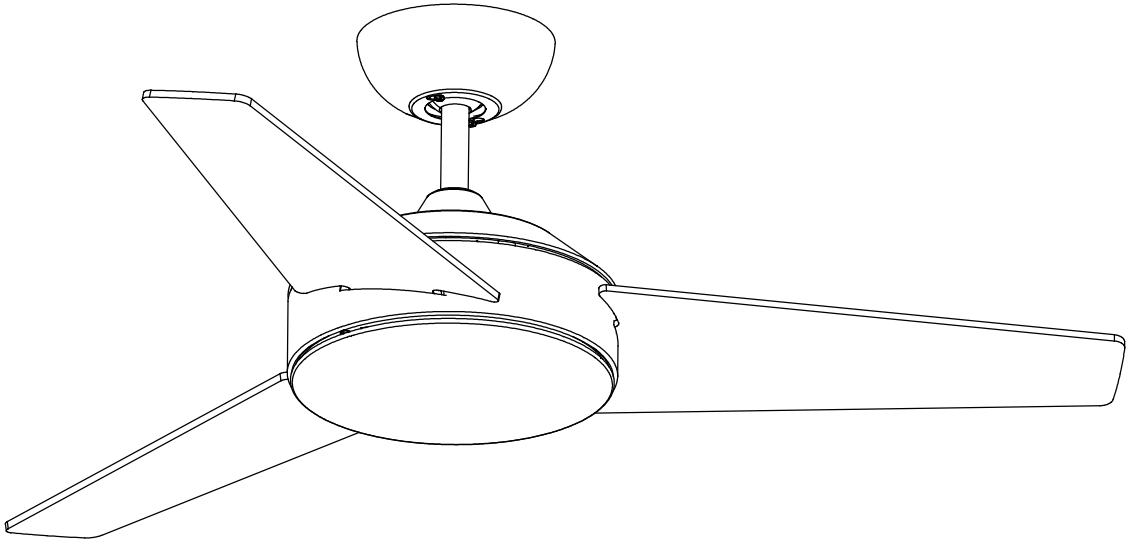


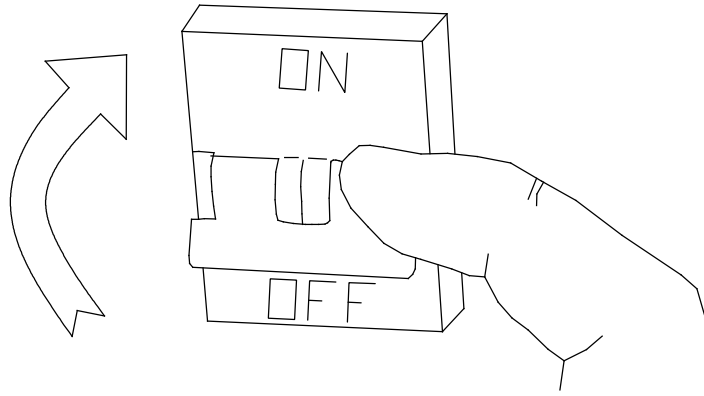
LEDS-C4

25

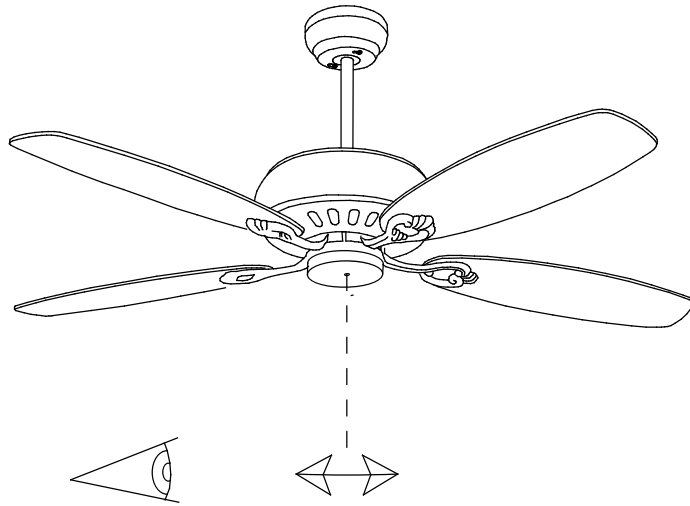


26





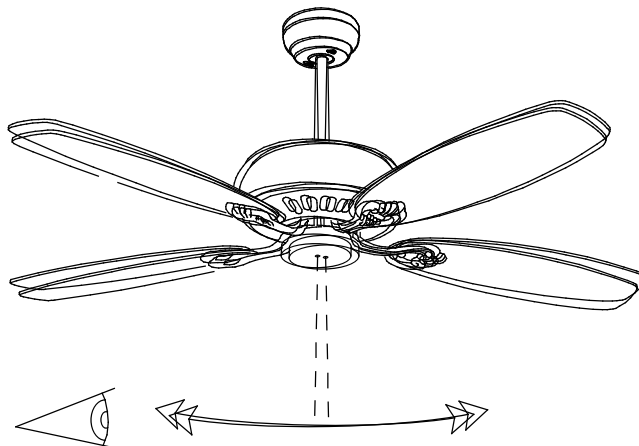
HI
ON



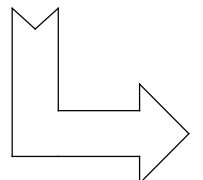
= **OK**

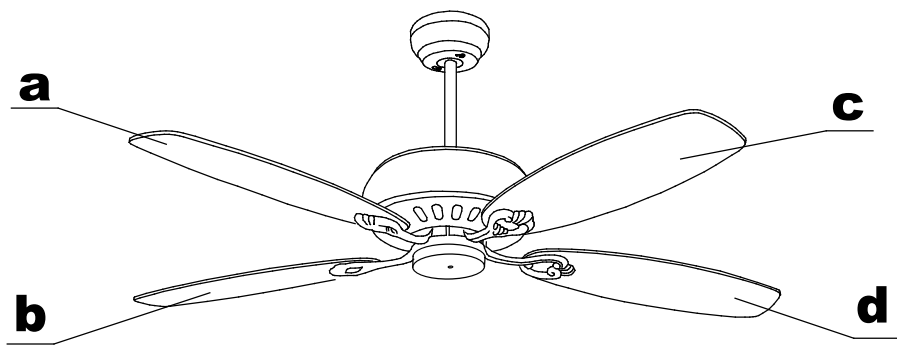


HI
ON



= **NO**





1

Diagram 1 shows blade 'A' being inserted into the motor housing. The speed control switch is set to 'ON'. The fan is shown wobbling, indicating it is not balanced. The result is labeled **NO**.

2

Diagram 2 shows blade 'B' being inserted into the motor housing. The speed control switch is set to 'ON'. The fan is shown wobbling, indicating it is not balanced. The result is labeled **NO**.

3

Diagram 3 shows blade 'C' being inserted into the motor housing. The speed control switch is set to 'ON'. The fan is shown running smoothly, indicating it is balanced. The result is labeled **OK**.

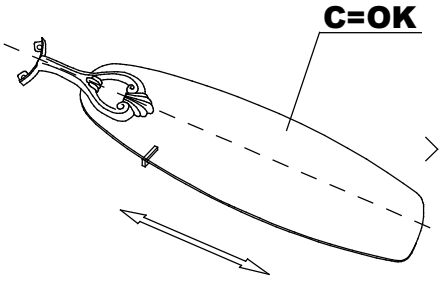
4

Diagram 4 shows blade 'D' being inserted into the motor housing. The speed control switch is set to 'ON'. The fan is shown wobbling, indicating it is not balanced. The result is labeled **NO**.

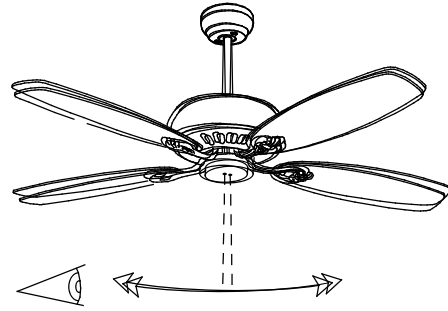


LED S-C4

5

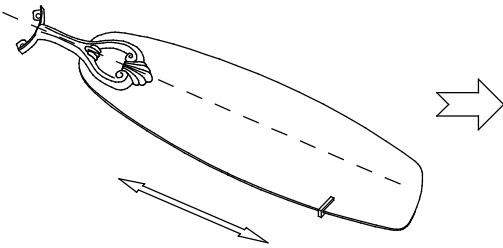


HI
ON

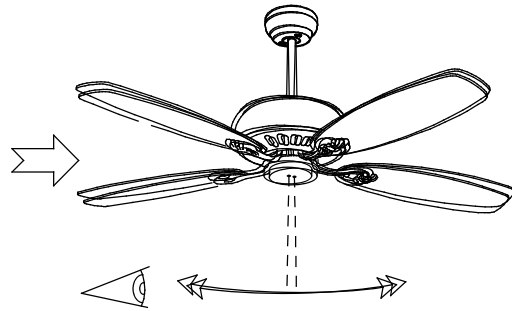


= NO

6

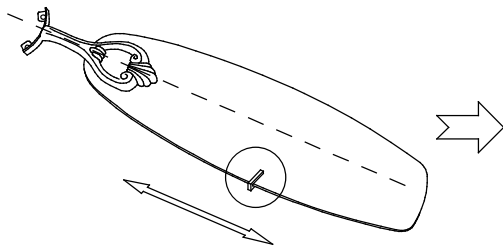


HI
ON

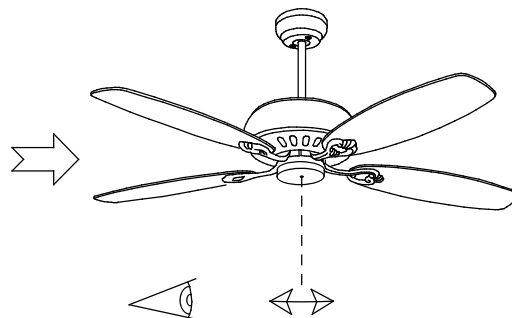


= NO

7



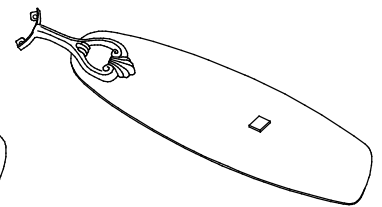
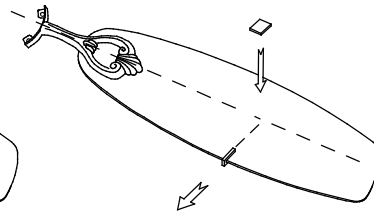
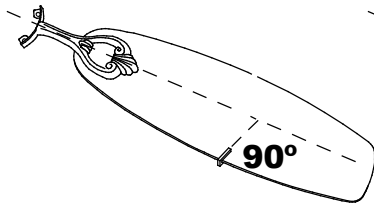
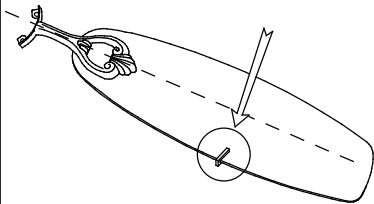
HI
ON



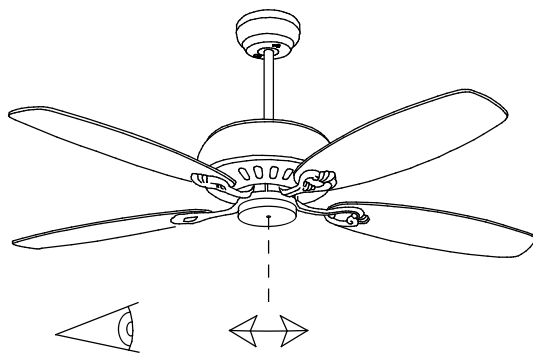
= OK

8

OK



HI
ON



= OK