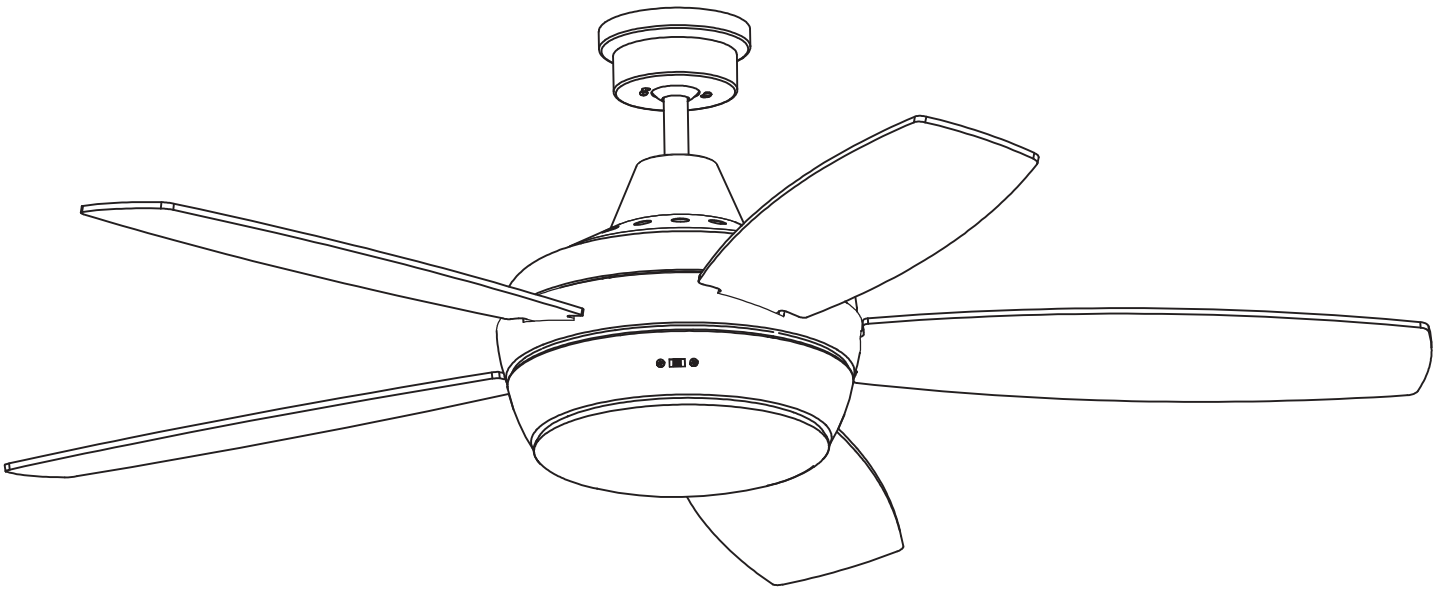


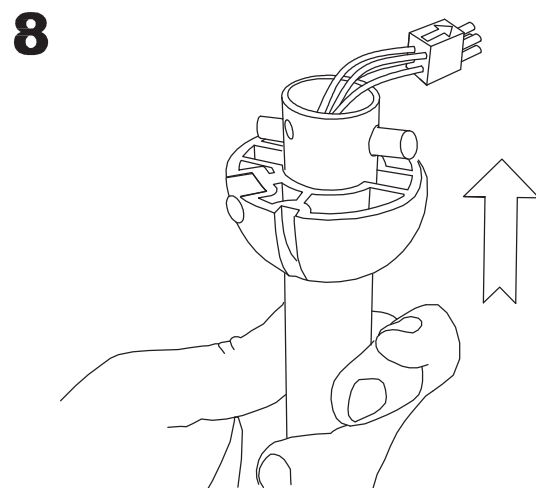
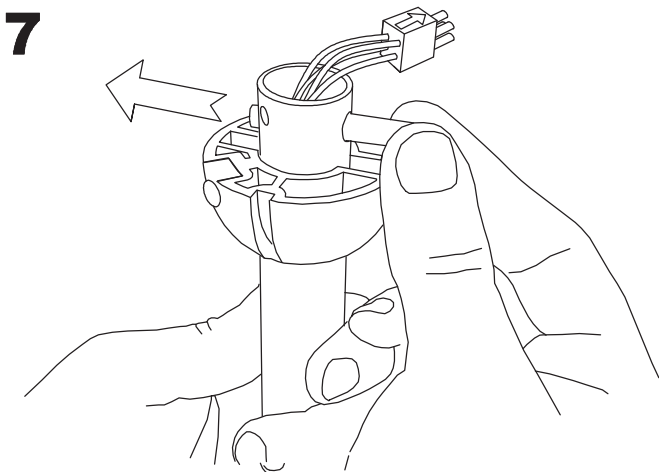
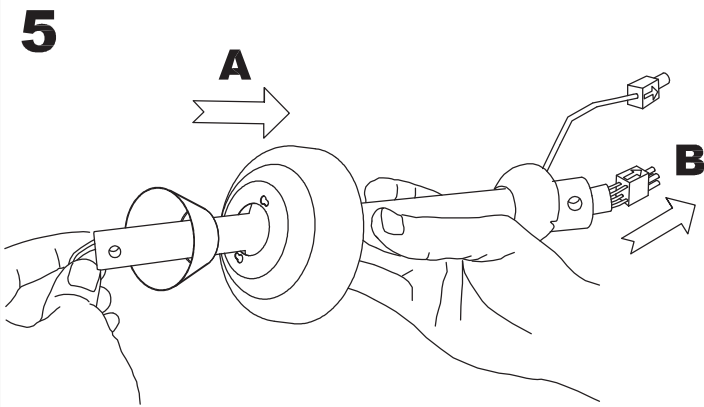
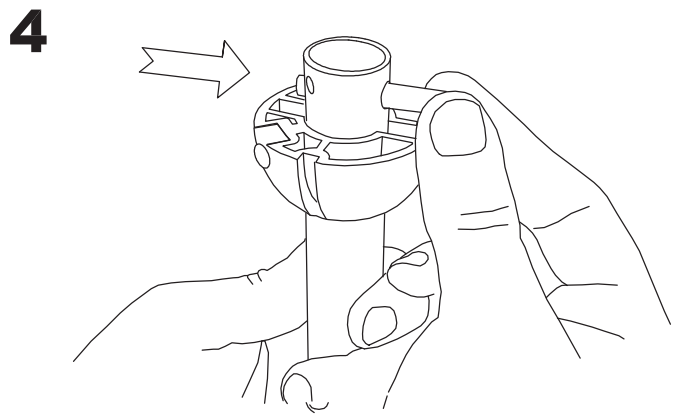
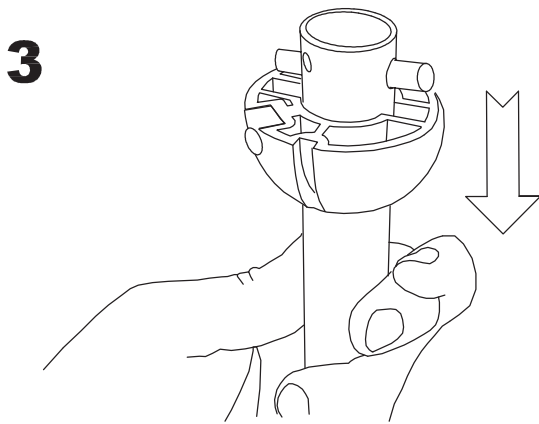
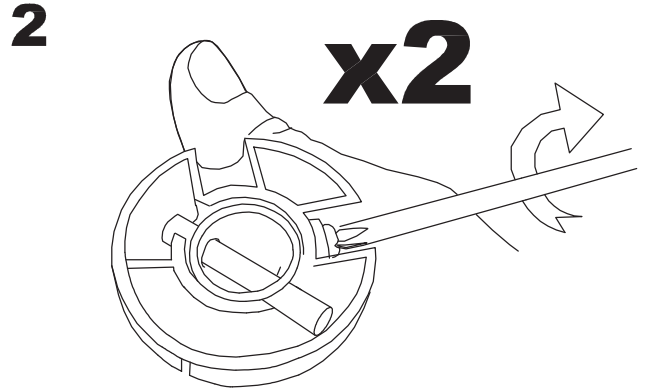
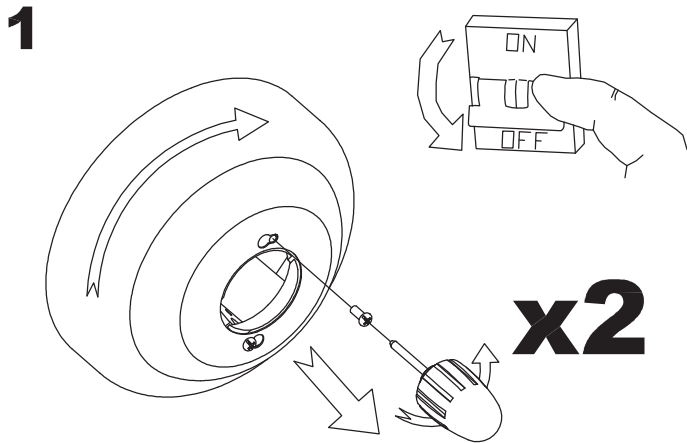


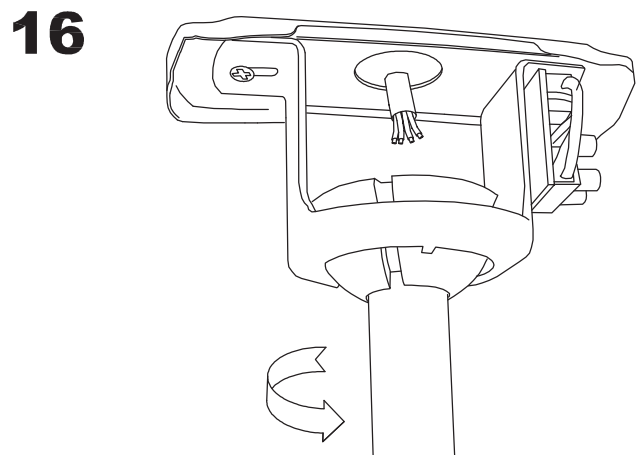
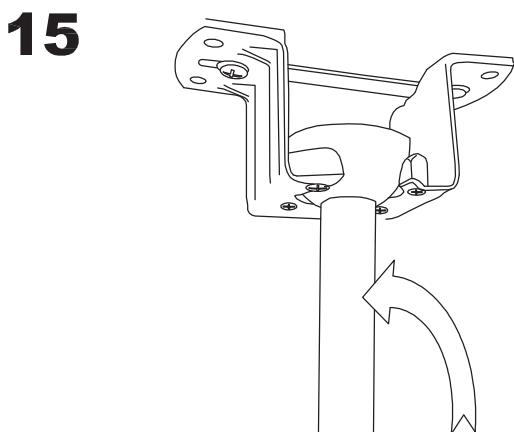
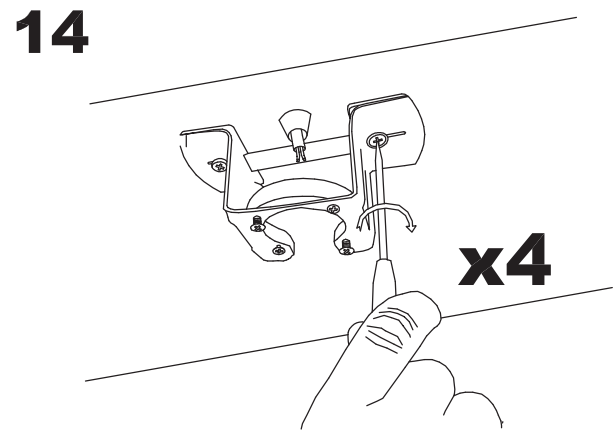
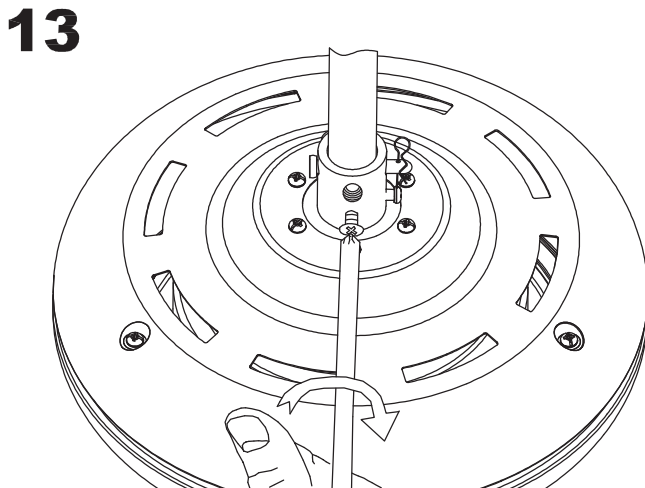
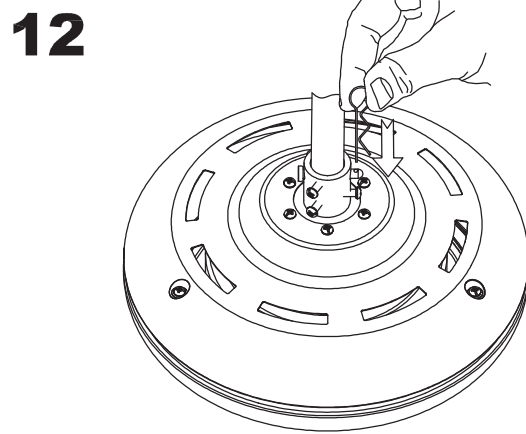
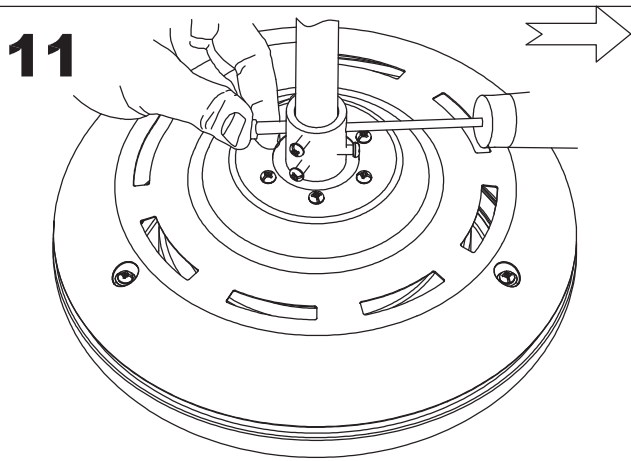
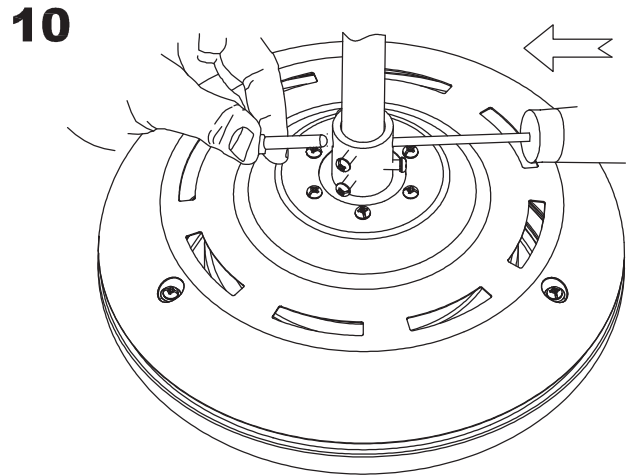
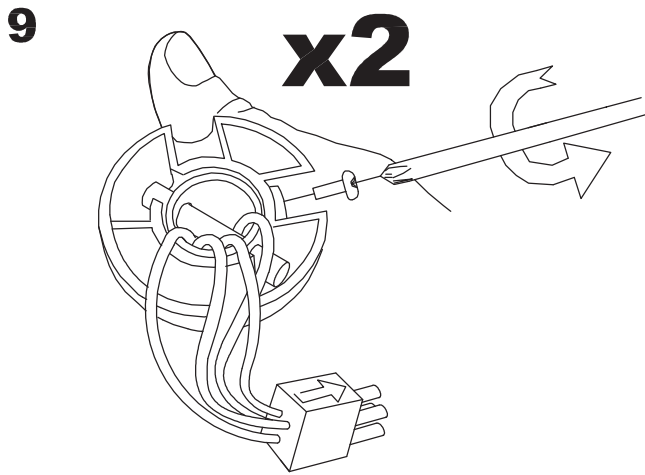
LED S-C4

30-0068-81-B8

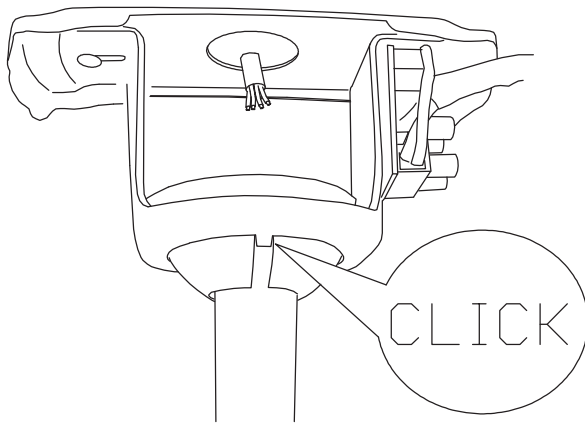
30-0068-14-B8



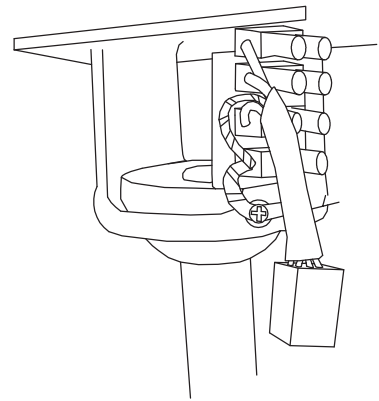




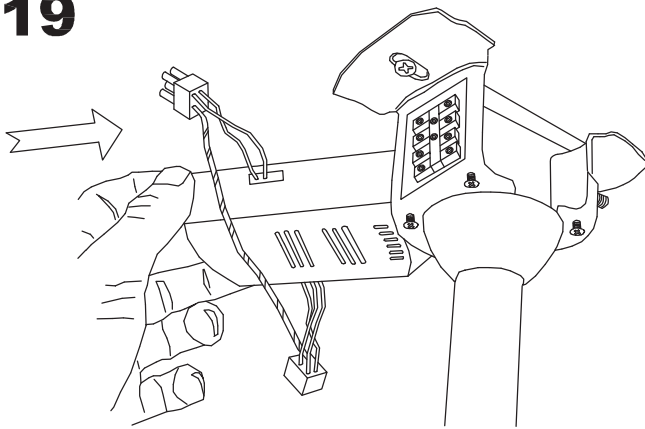
17



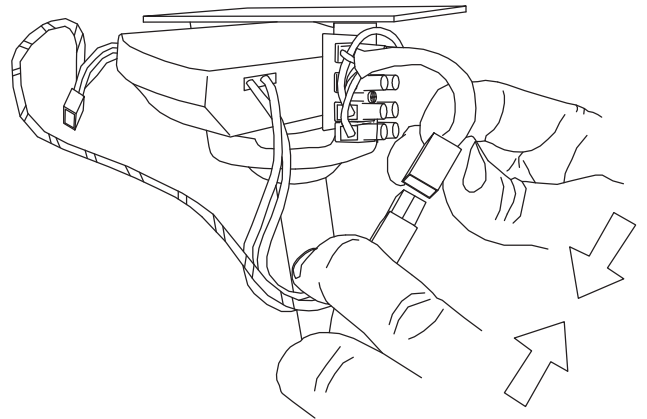
18



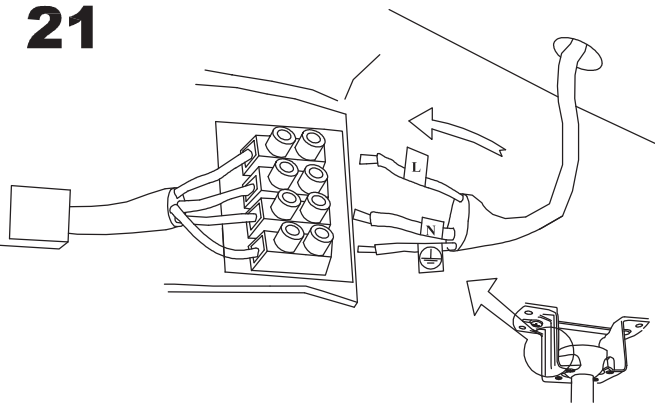
19



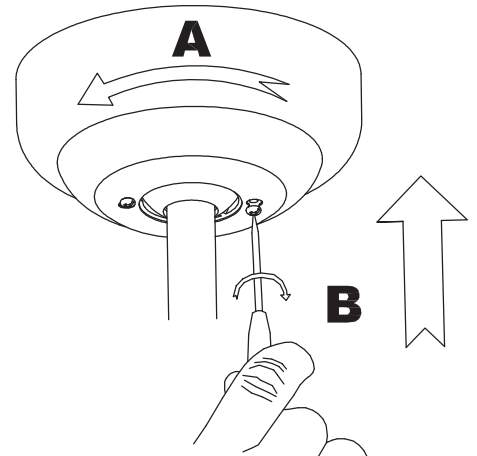
20



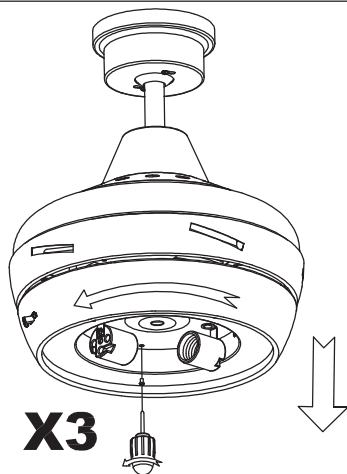
21



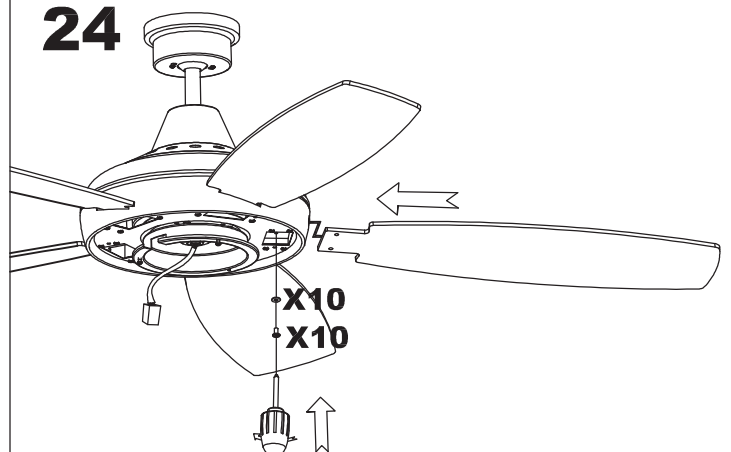
22



23

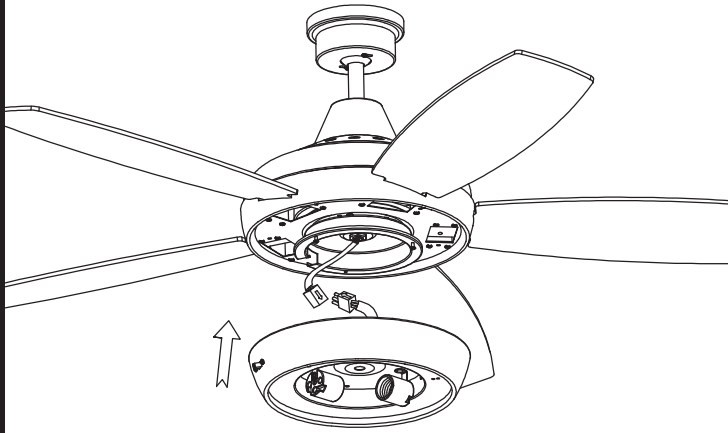


24

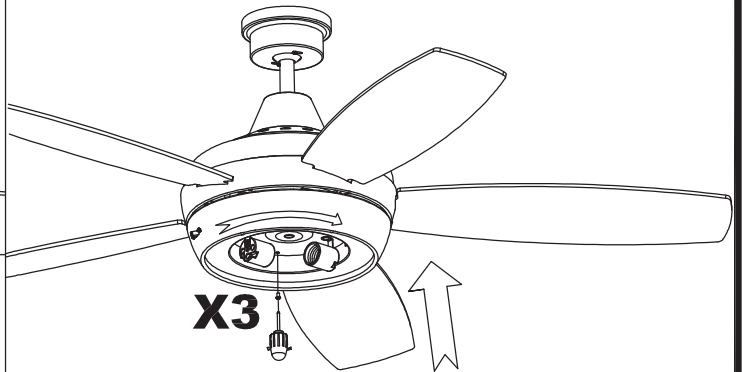




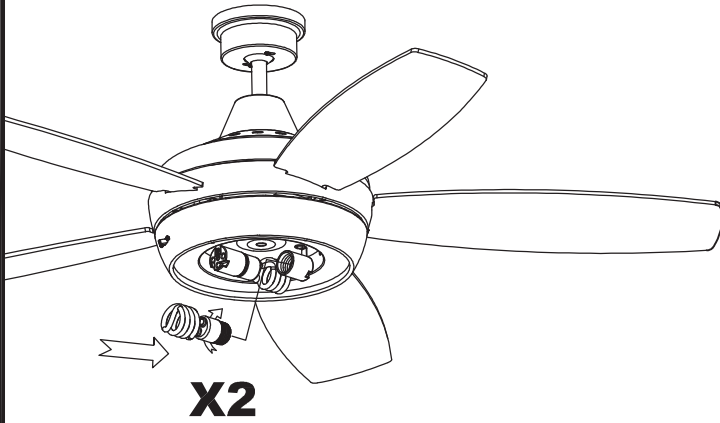
25



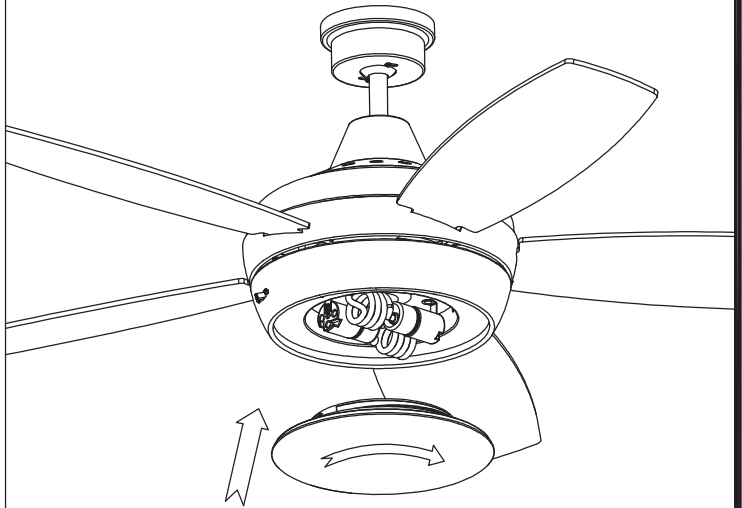
26



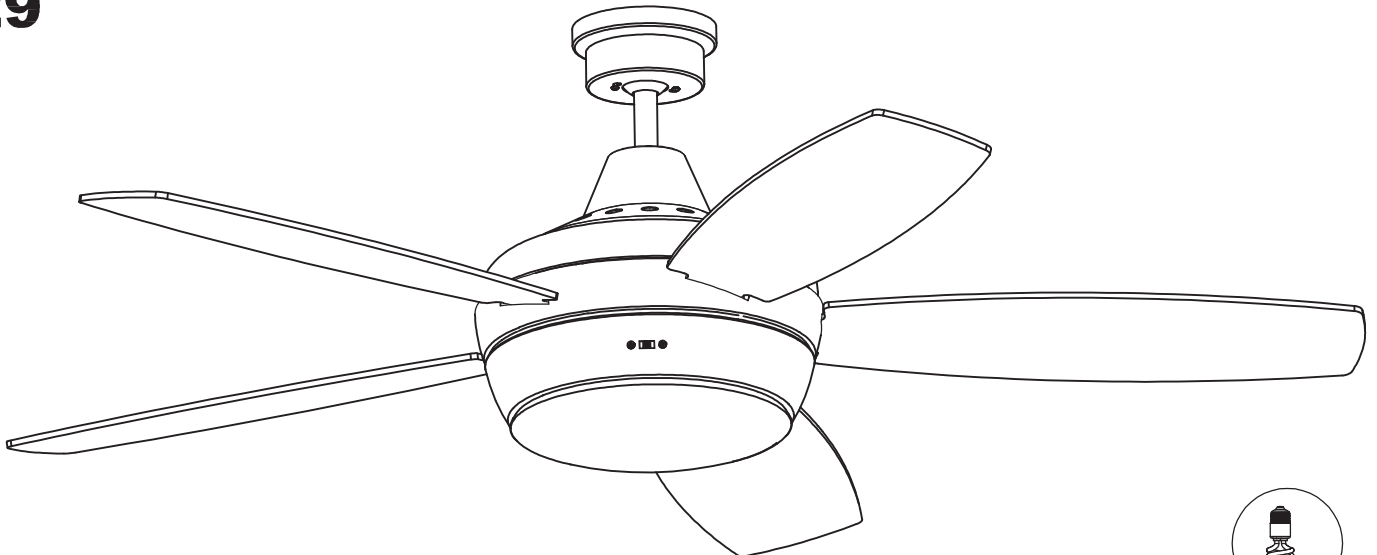
27

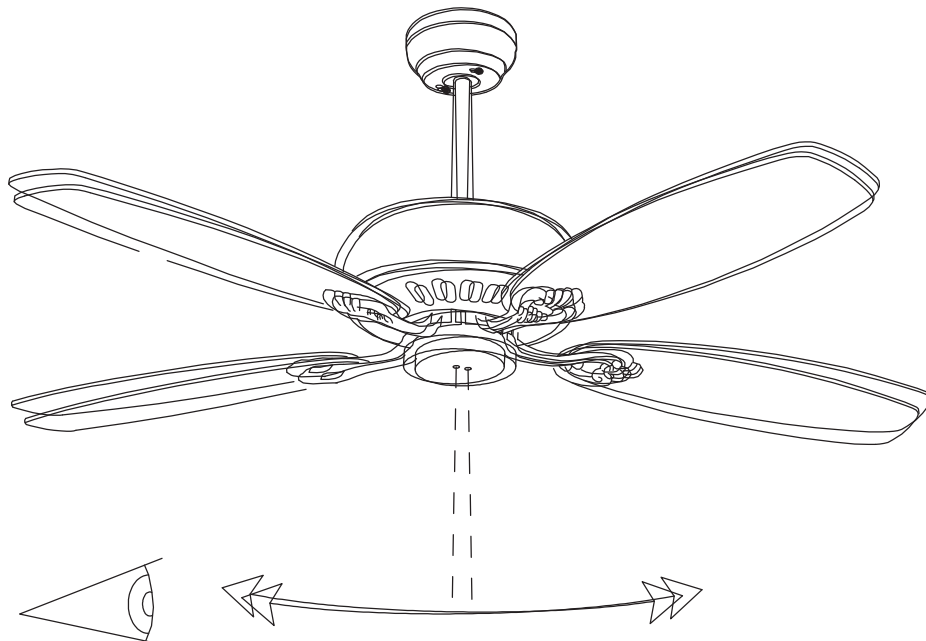
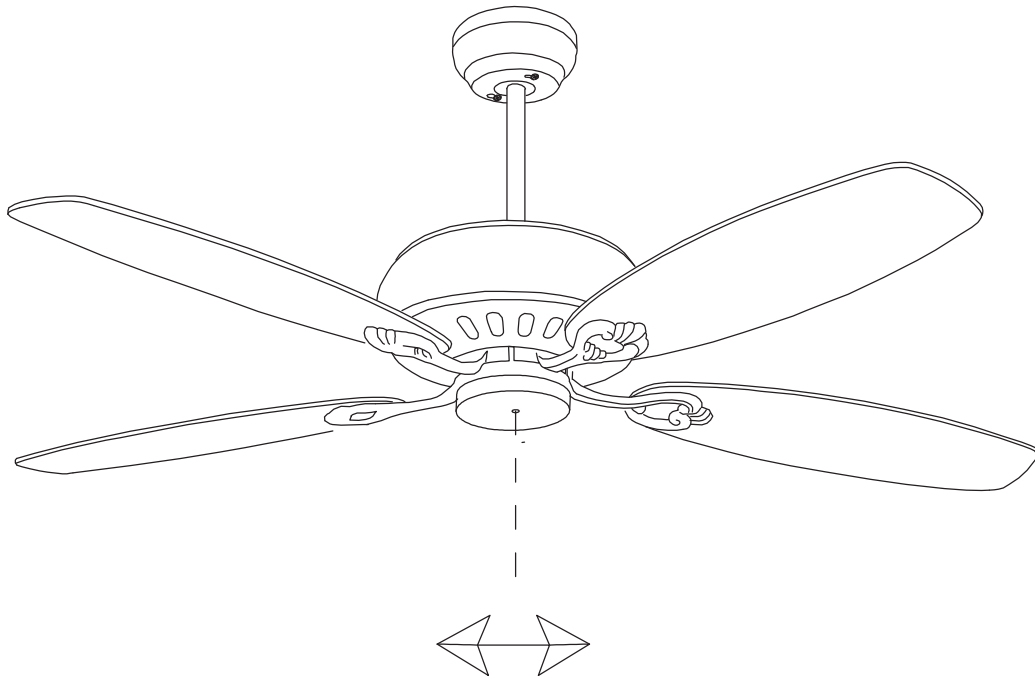
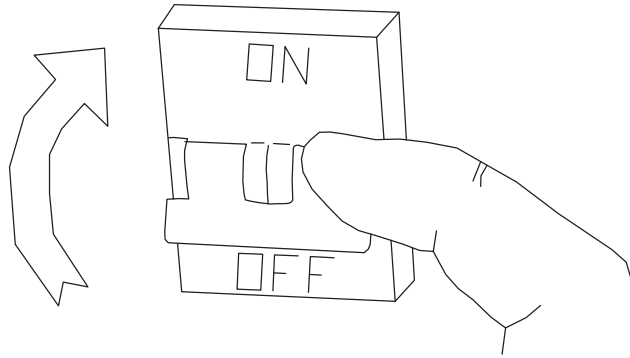


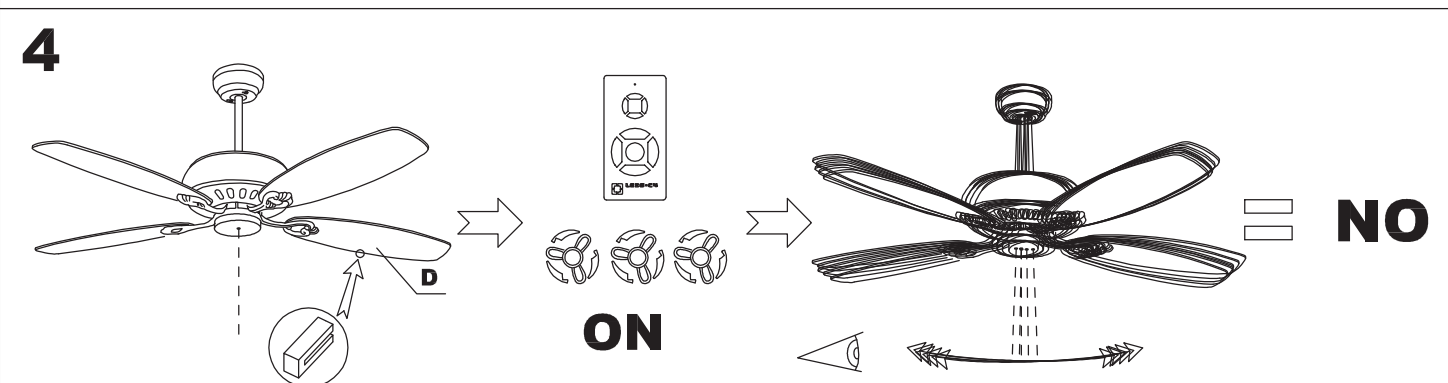
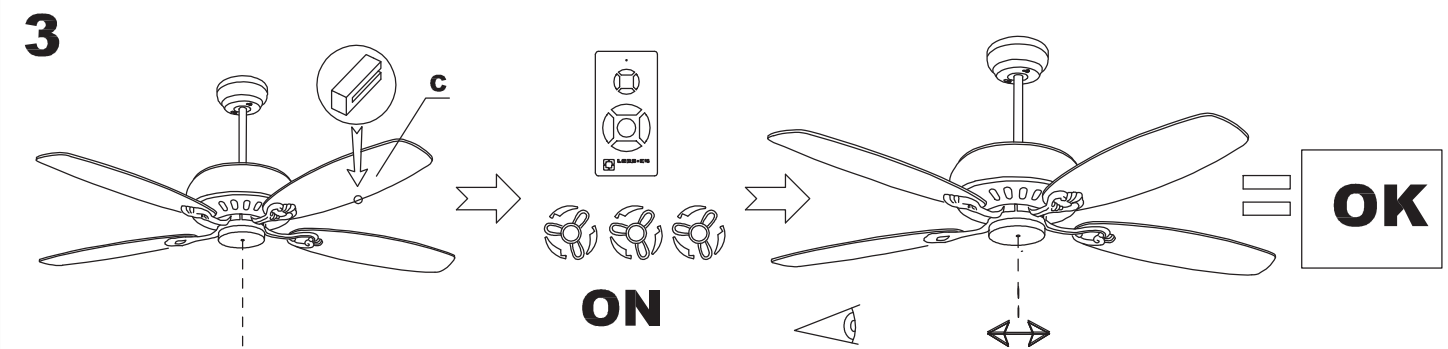
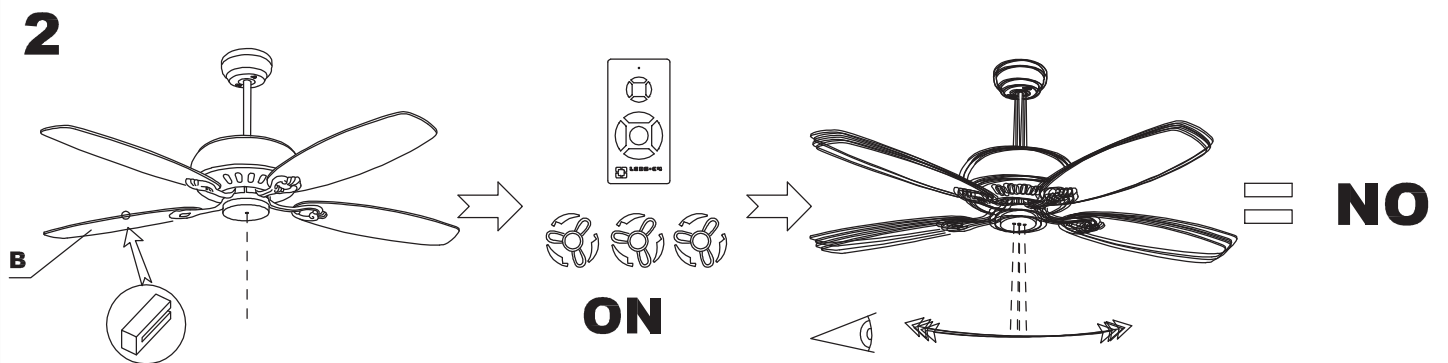
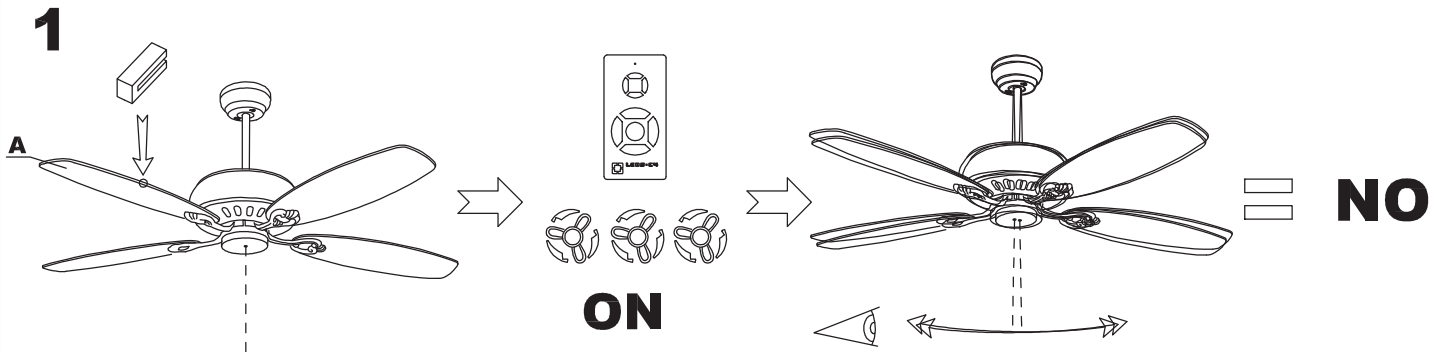
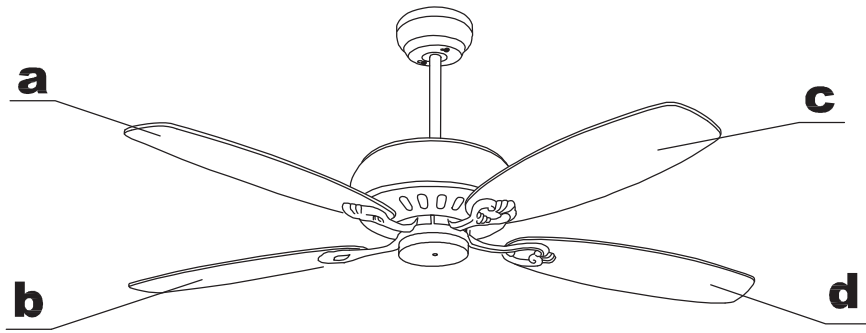
28



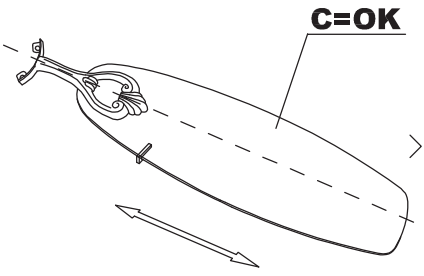
29



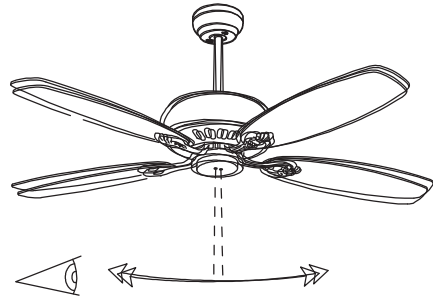




5

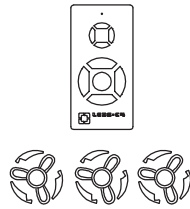
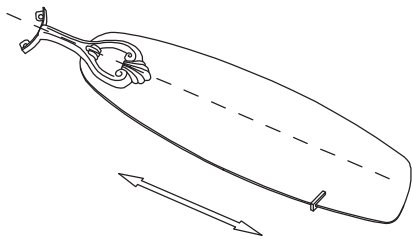


ON

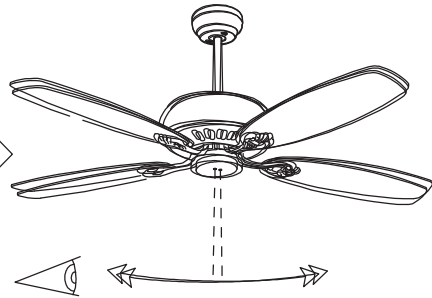


= NO

6

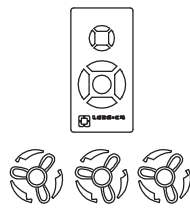
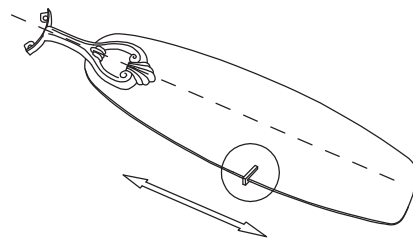


ON

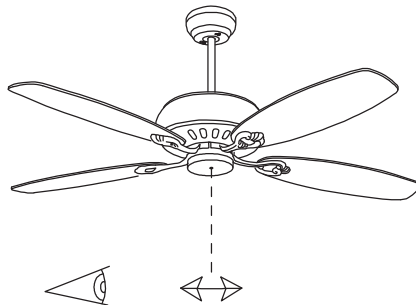


= NO

7



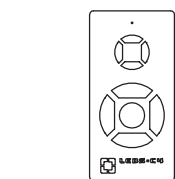
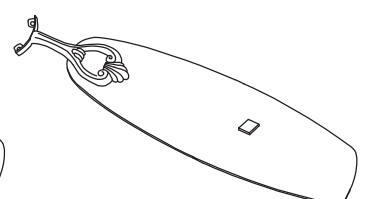
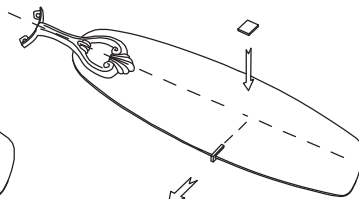
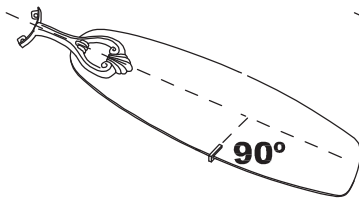
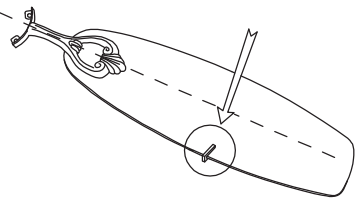
ON



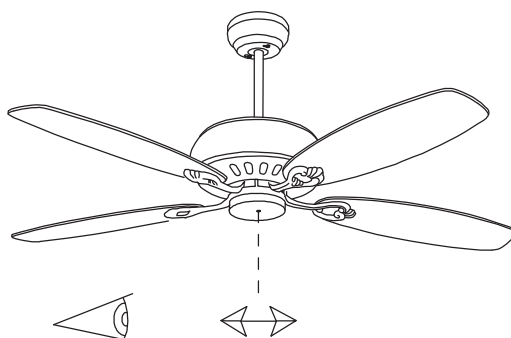
= OK

8

OK



ON



= OK