



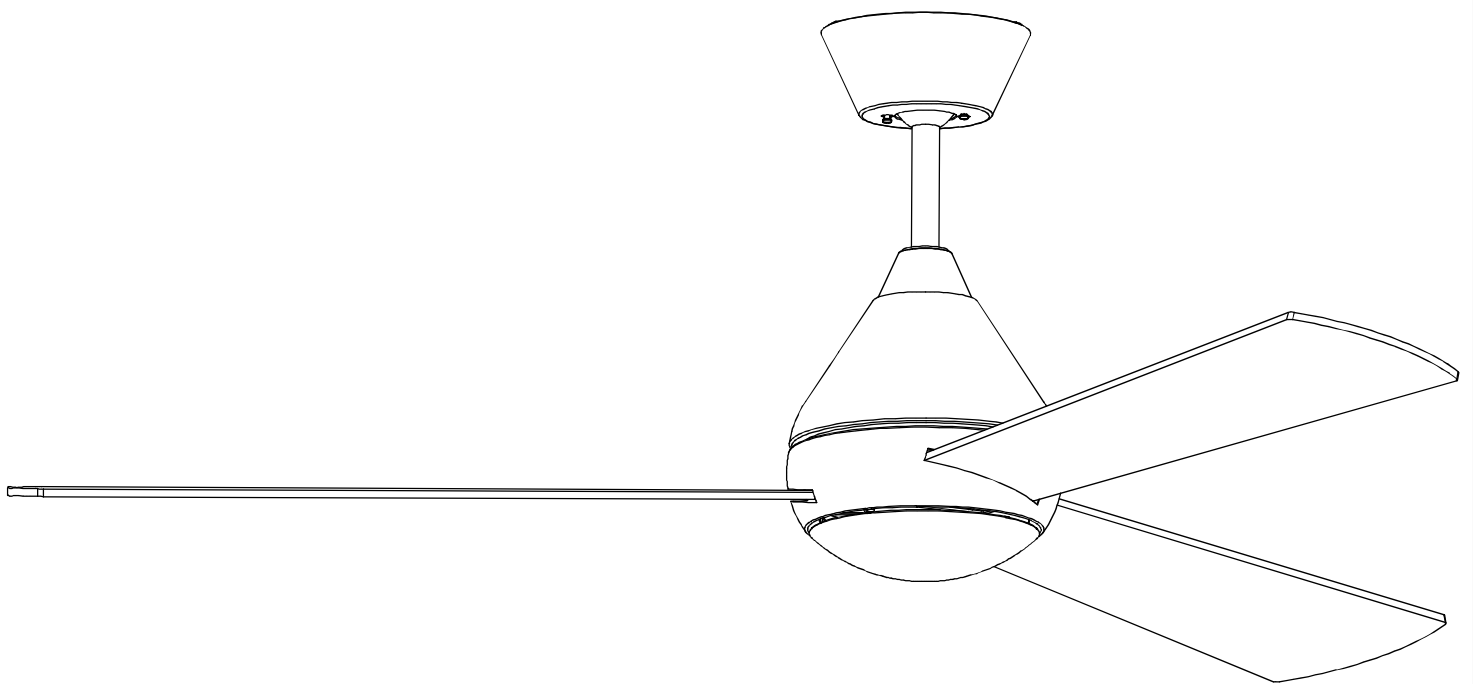
LED S-C4

30-4863-CF-CF

30-4863-81-81

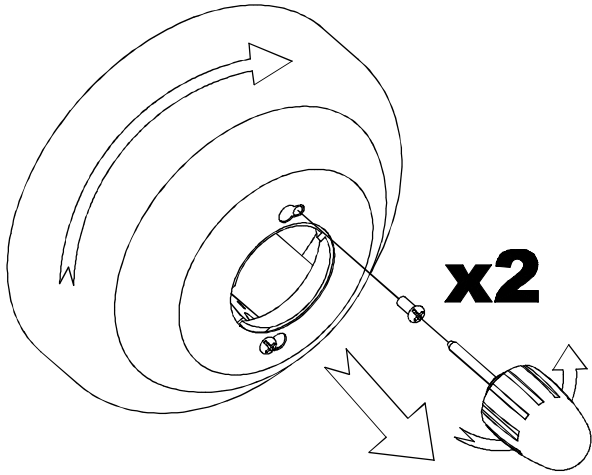
30-4866-CF-CF

30-4866-81-81

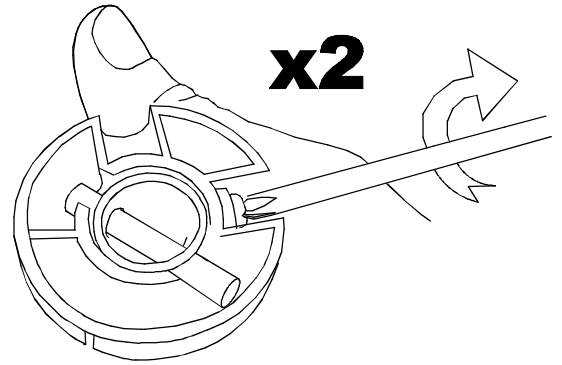




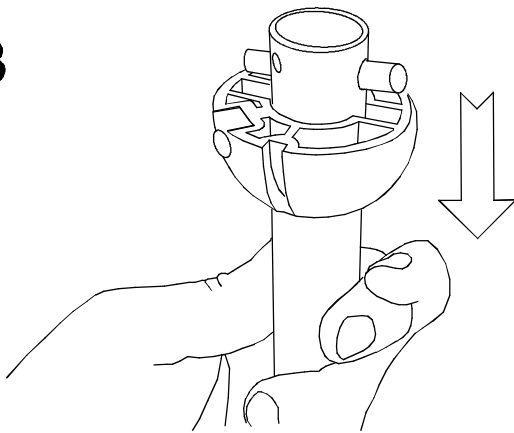
**1**



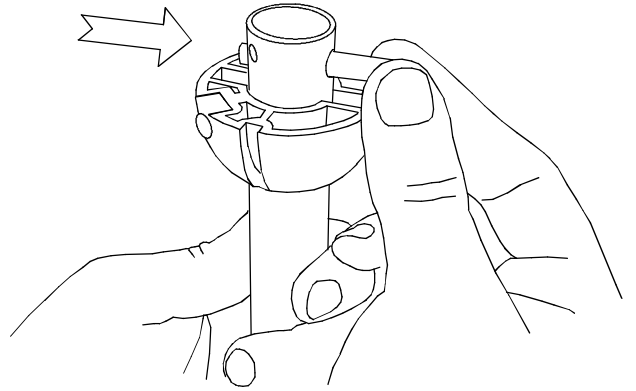
**2**



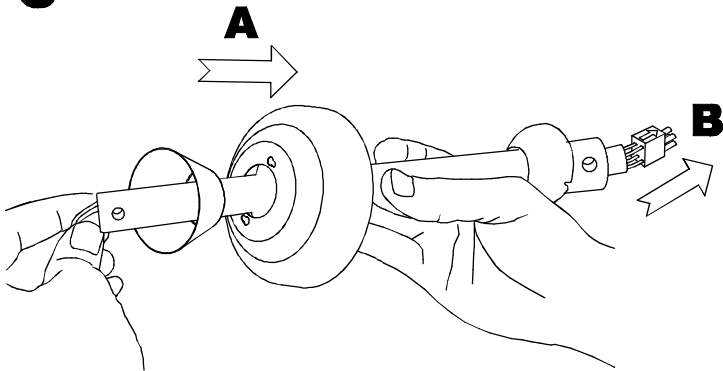
**3**



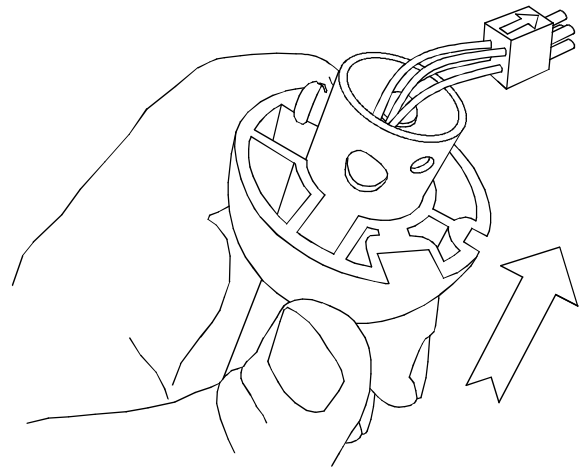
**4**



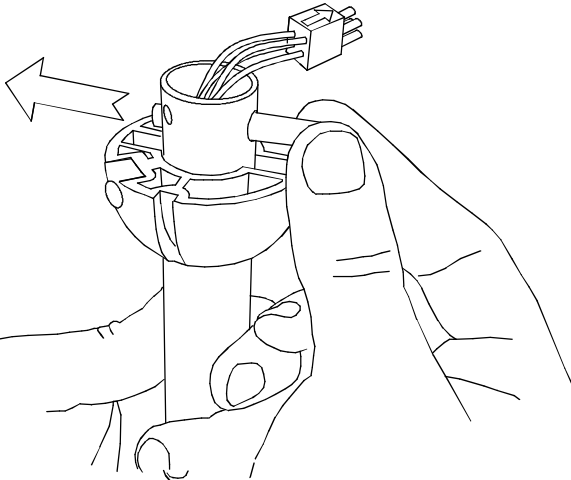
**5**



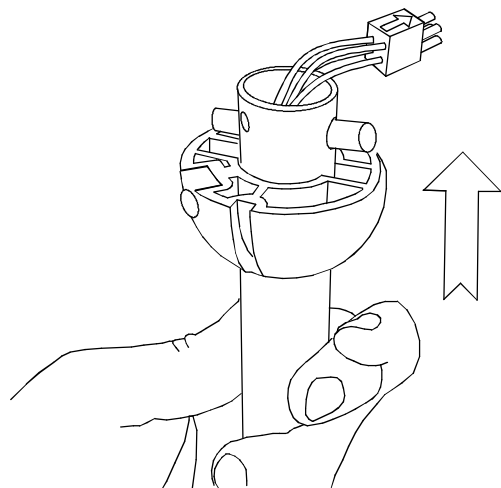
**6**



**7**

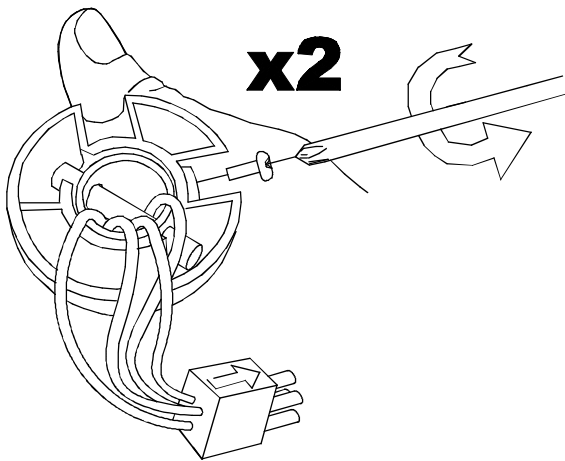


**8**

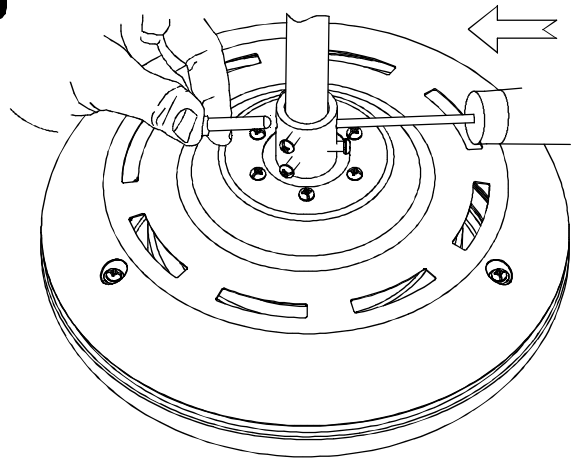




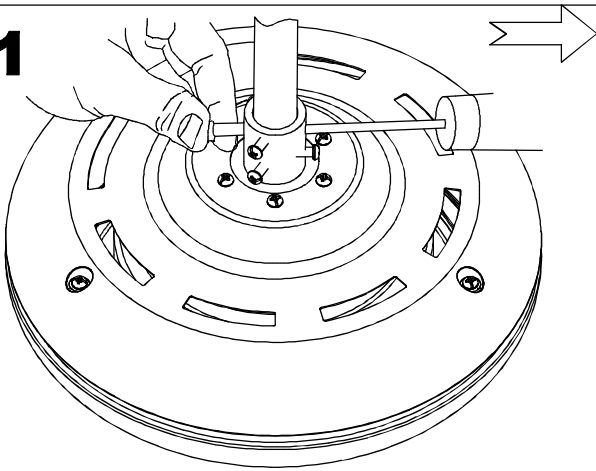
9



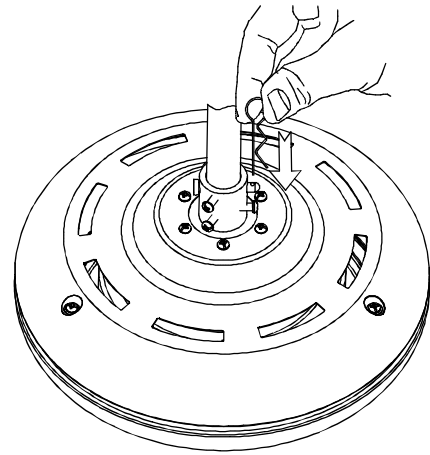
10



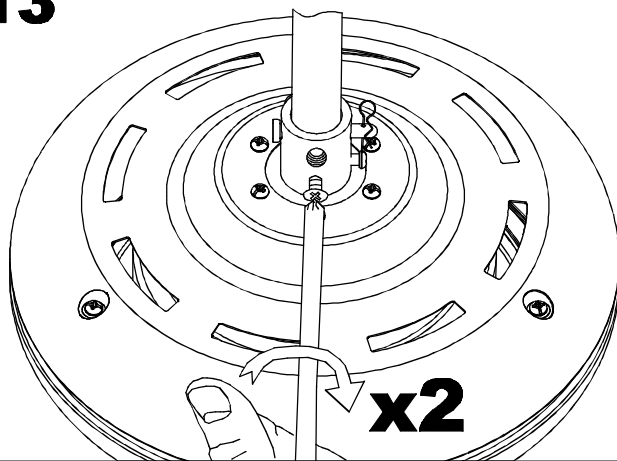
11



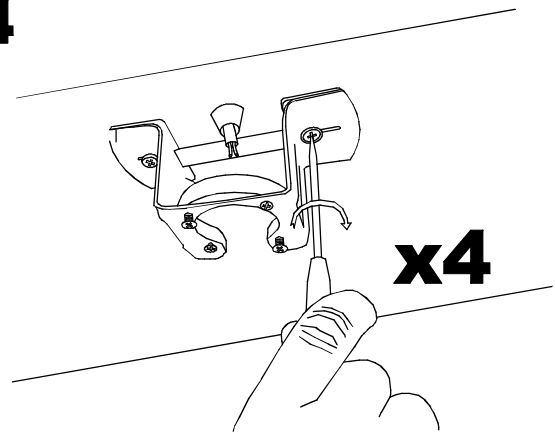
12



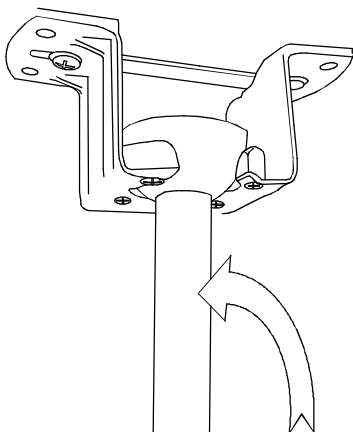
13



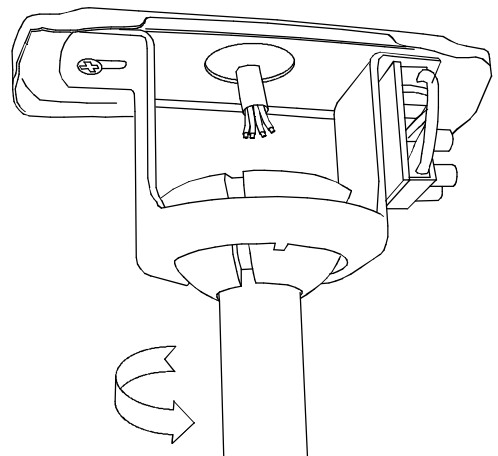
14



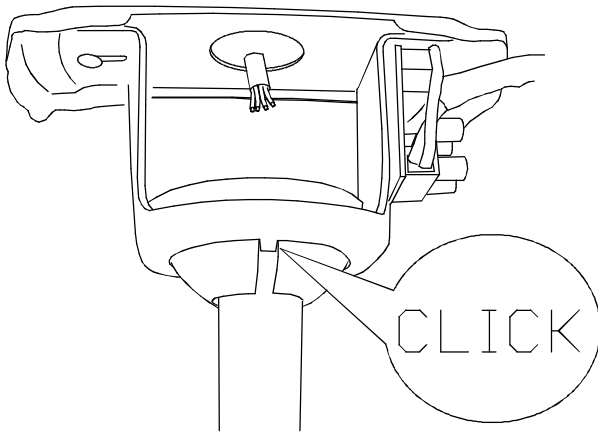
15



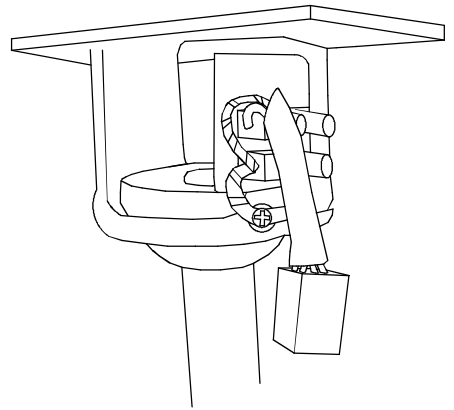
16



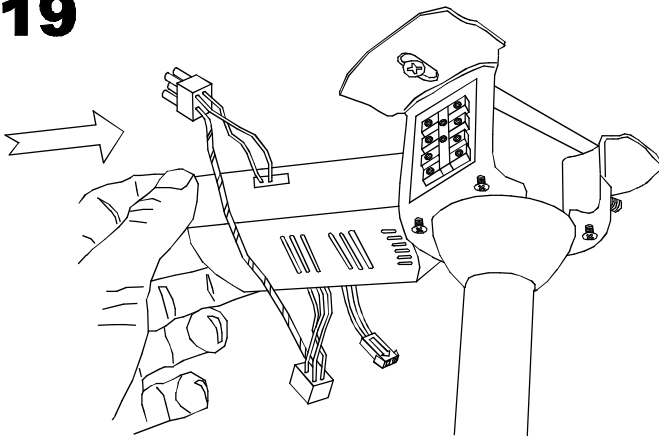
**17**



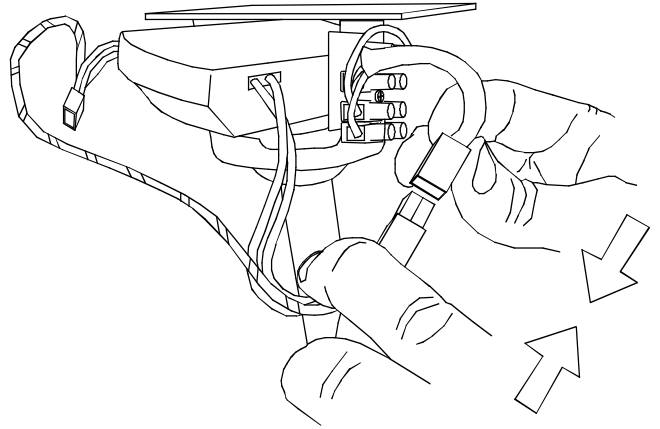
**18**



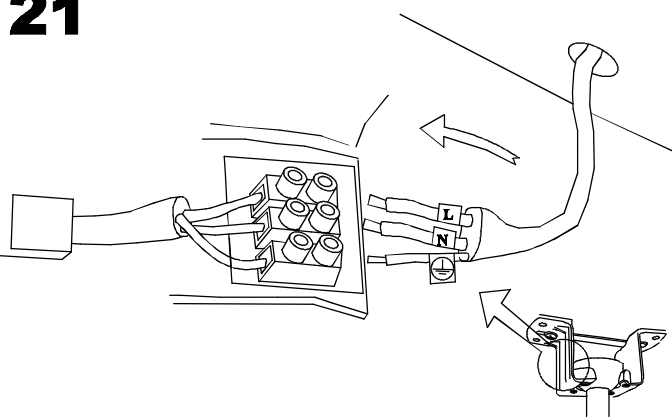
**19**



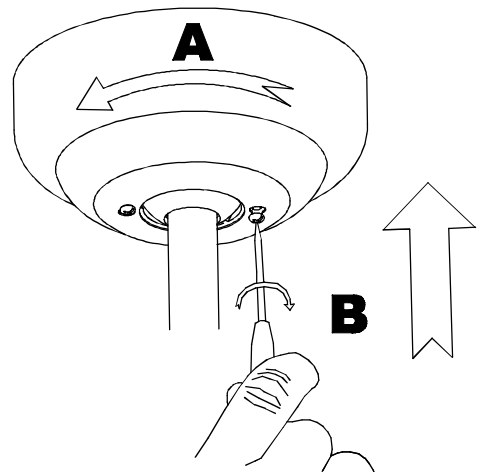
**20**



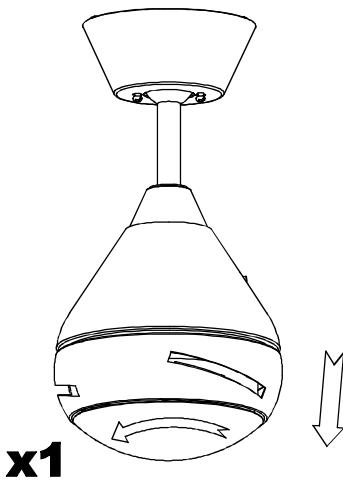
**21**



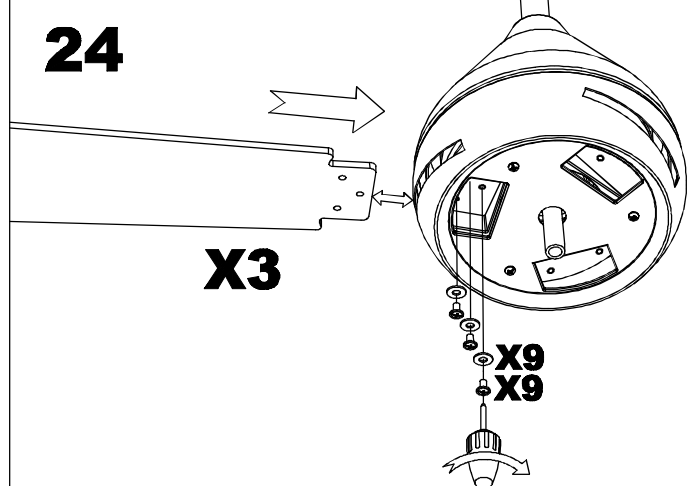
**22**



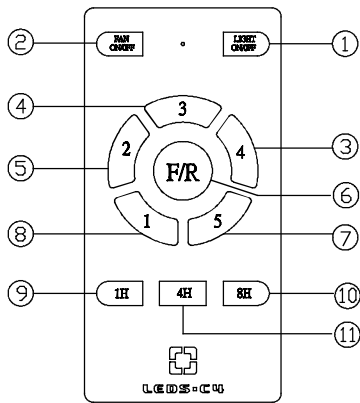
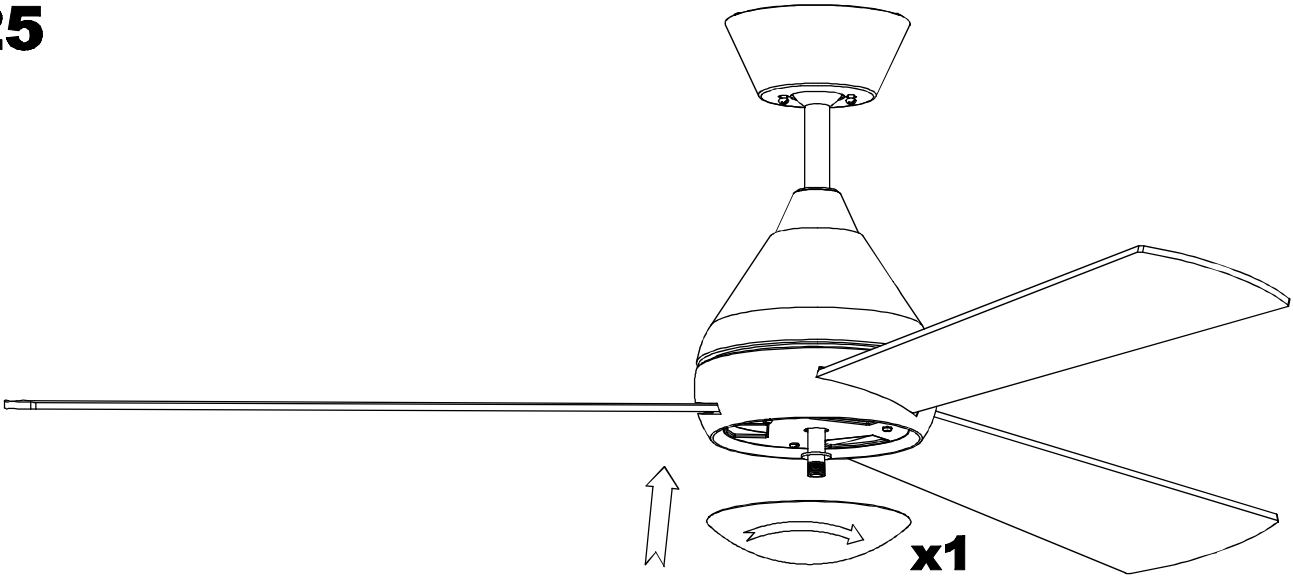
**23**



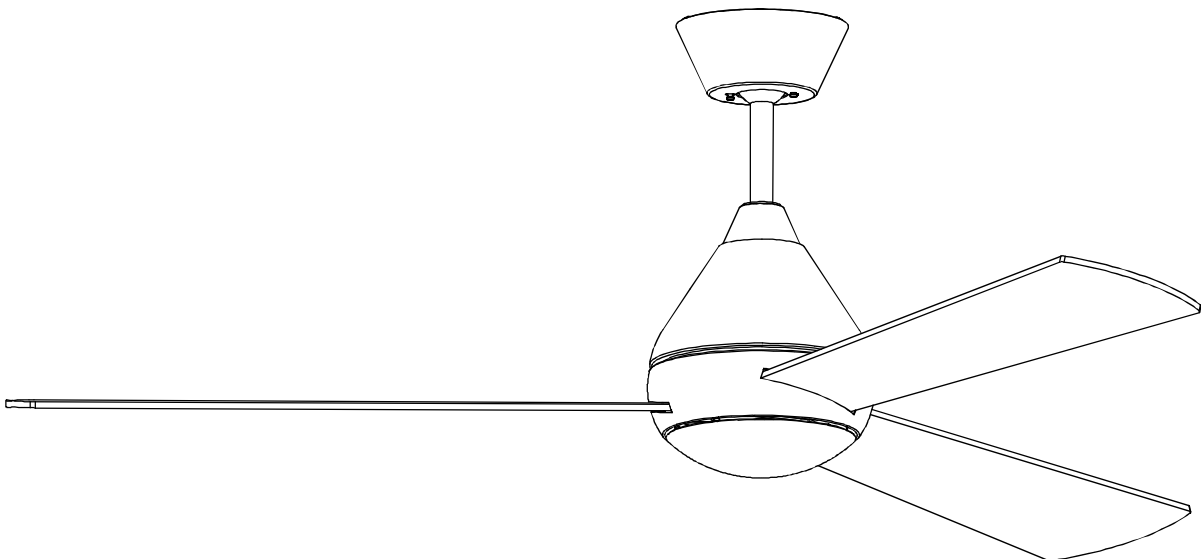
**24**



**25**

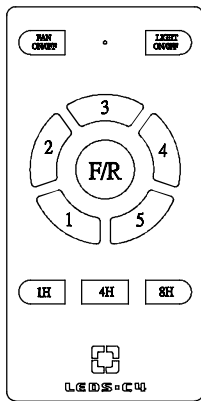
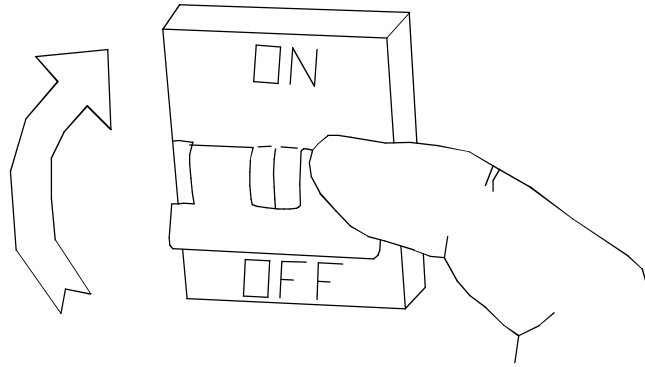


①	LEDY ON/OFF
②	FAN ON/OFF
③	4
④	3
⑤	2
⑥	F/R
⑦	5
⑧	1
⑨	1H
⑩	8H
⑪	4H

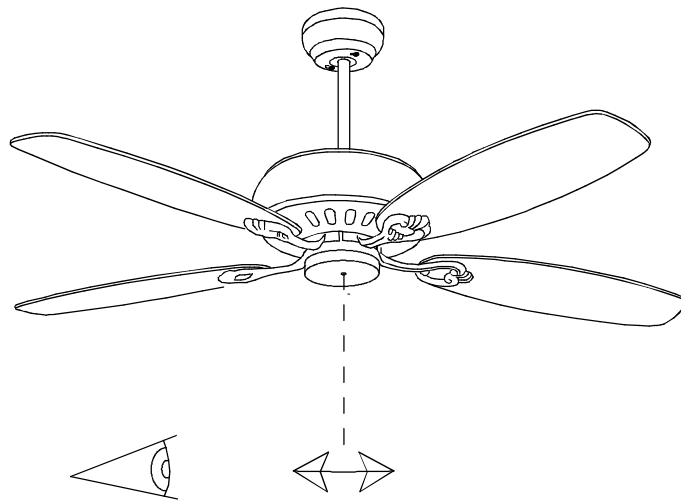




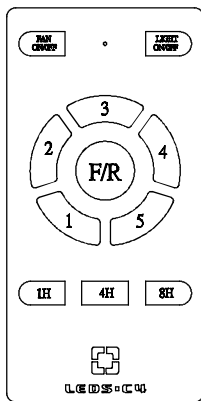
LED S-C4



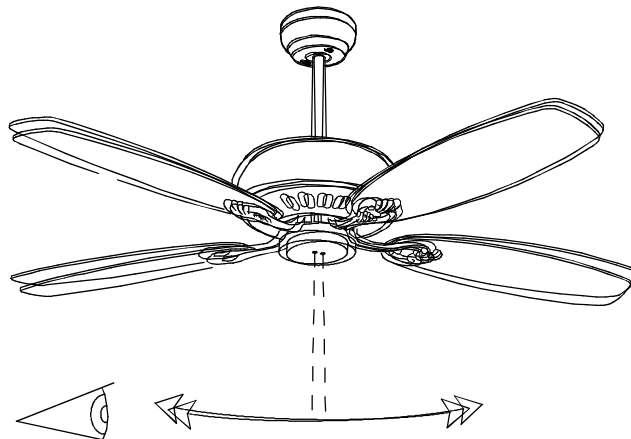
**ON**



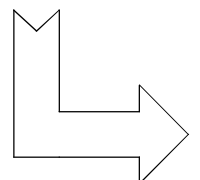
≡ **OK**

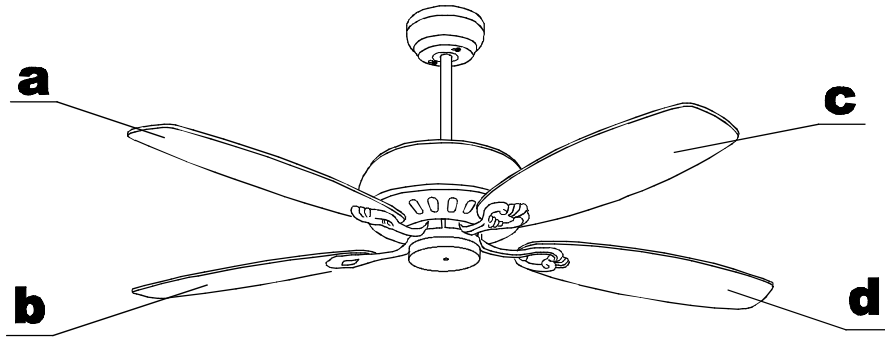


**ON**



≡ **NO**





**1**

Diagram 1 shows blade 'a' being secured with a screw. The remote control is shown with the 'ON' button selected. The fan is shown oscillating. The result is labeled **NO**.

**2**

Diagram 2 shows blade 'b' being secured with a screw. The remote control is shown with the 'ON' button selected. The fan is shown oscillating. The result is labeled **NO**.

**3**

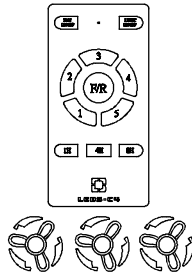
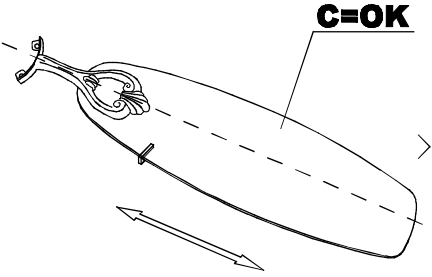
Diagram 3 shows blade 'c' being secured with a screw. The remote control is shown with the 'ON' button selected. The fan is shown oscillating. The result is labeled **OK**.

**4**

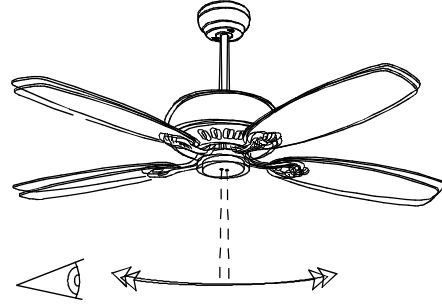
Diagram 4 shows blade 'd' being secured with a screw. The remote control is shown with the 'ON' button selected. The fan is shown oscillating. The result is labeled **NO**.



5

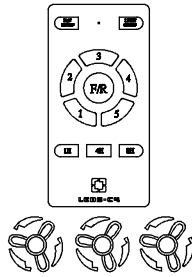
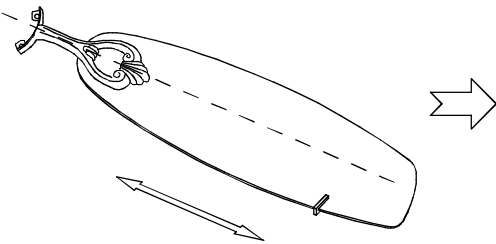


ON

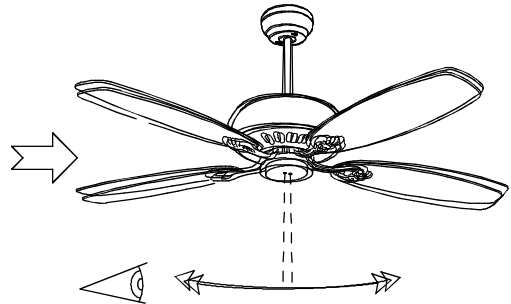


= NO

6

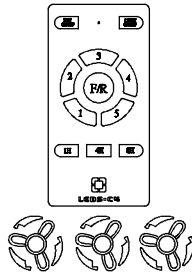
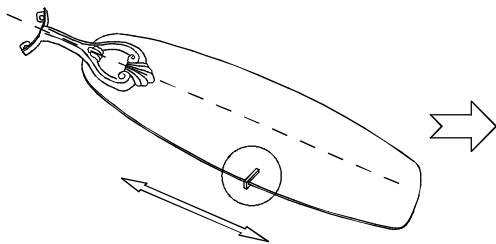


ON

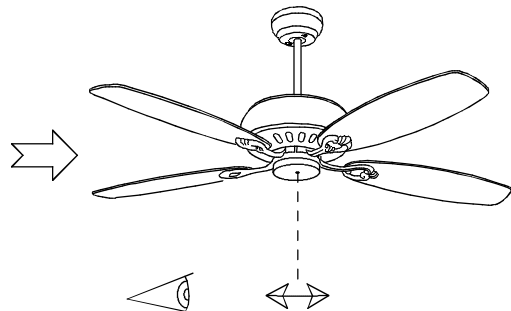


= NO

7



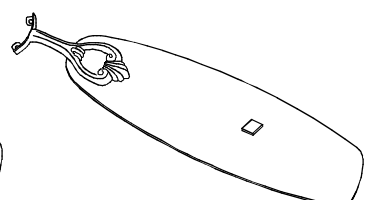
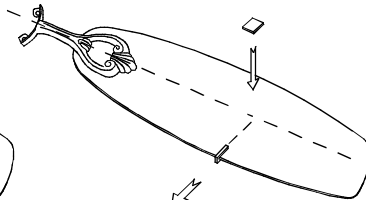
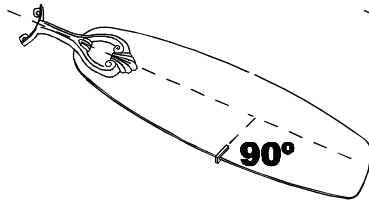
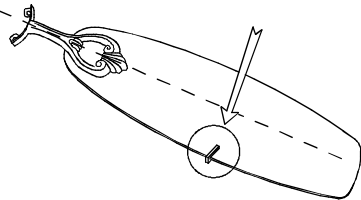
ON



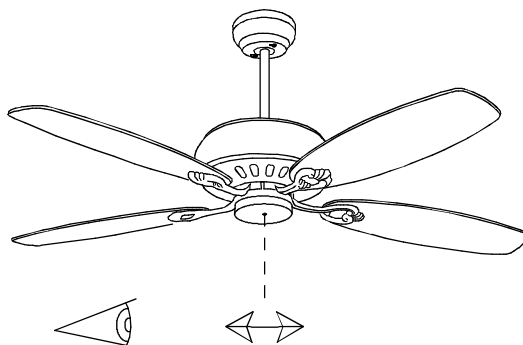
= OK

8

OK



ON



= OK